

# NEWTECHWOOD MINI GAP INSTALLATION GUIDE



## Functions of each clip:

### Expansion and contraction needs to be taken into consideration when installing any wood plastic composite.

It's a natural tendency for objects to expand and contract from changes in temperature.

We have taken into consideration these issues and created clip systems, which will ensure your deck experiences zero warping or distortion after installation, so that you can enjoy your outdoor space.



(Stainless Steel)



(Stainless Steel)

The **MG1 Clip** locks and enables breathability so that each board can still expand and contract enough so that it doesn't warp, distort, or buckle from these movements.

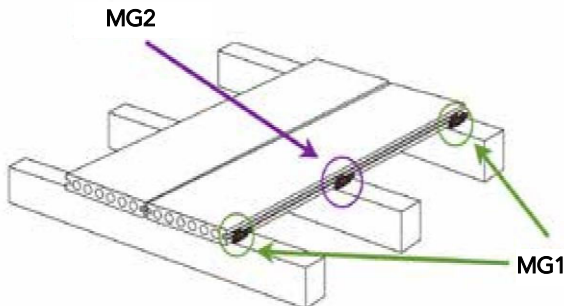
The **MG2 Clip** secures the board and controls the direction in which expansion and contraction takes place.

## Installing a Deck - Clips Required:

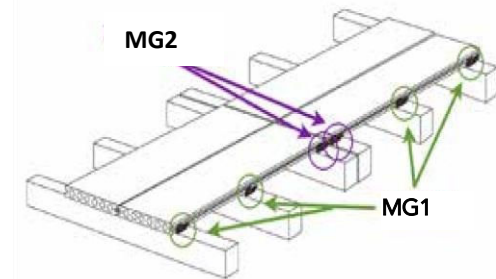
Note: Our Metal Fix screws are suitable for steel joists of up to 2mm in thickness. If thicker than 2mm, then you must pre-drill each hole.

All boards require both MG1 and MG2 Clips.

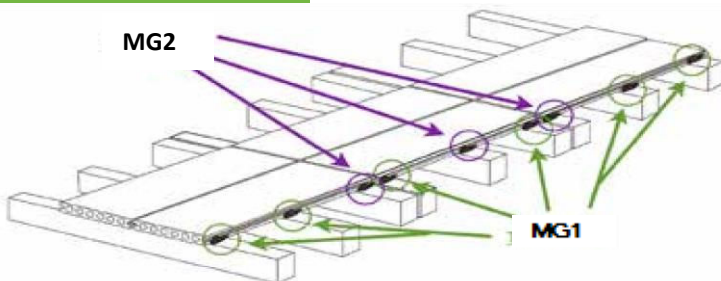
### One Length:



### Two Lengths:



### Three (3+) Lengths:



### IMPORTANT NOTE:

- \* Only 1 screw required per clip
- \* Slide side with two tabs under board
- \* Screw through Single tab, as per photo below



Note: Please be aware that board widths may vary + or - 2mm.

Please visit [www.newtechwood.com.au](http://www.newtechwood.com.au) for more information.

DISTRIBUTED BY:

