



**Urban Direct
Wholesale**
Sourcing Better Products



StructurAL® Installation Guide

2021 AUS

THE COMPONENTS

Image	Code	Description	Material	Dimensions	Unit
	ST ALJ3	Aluminum Joist	Aluminum Alloy (T6066, black coated)	Length 3000 mm Width 60 mm Height 40 mm	Each (L)
	NPTAD -677	Joist Adapter AL60	Polypropylene	Diameter 122 mm Height 13 mm	Each (Loose) Bag (20 of) Crate (1920 of)
	NPT25 - 337	NIVO pedestal	Polypropylene	Height 25 - 40 mm	Each (Loose) Bag (60 of) Crate (840 of)
	NPT40 - 273	NIVO pedestal	Polypropylene	Height 40 - 60 mm	Each (Loose) Bag (60 of) Crate (840 of)
	NPT50 - 274	NIVO pedestal	Polypropylene	Height 50 - 80 mm	Each (Loose) Bag (60 of) Crate (600 of)
	NPT80 - 275	NIVO pedestal	Polypropylene	Height 80 - 140 mm	Each (Loose) Bag (40 of) Crate (480 of)
	NPT140 - 276	NIVO pedestal	Polypropylene	Height 140 - 230 mm	Each (Loose) Bag (40 of) Crate (280 of)
	NPEX60 - 0206	Height extension NIVO pedestal	Polypropylene	Height 60 mm	Each (Loose) Bag (60 of) Crate (1080 of)
	NPSC - 0338	Slope corrector 2-5%	Polypropylene	N/A	Each (Loose) Bag (60 of) Crate (1560 of)
	COBRA T AL-90	Cobra clip Tee-AL	AISI 304 (A2 stainless steel)	Length 32 mm Width 22 mm Height 20 mm	Bag of 90 clips c/w screws + 1 Driver bit
	ST ABR50	Assembly bracket	Aluminum, black coated	35x35x35 mm T thickness 1,5 mm	Set of 50 brackets + Self Drilling Screws
	ST AJC175	Joist sleeve	Aluminum, black coated	Length 175 mm Height 35 mm Thickness 0,5 mm	Set of 50 brackets + Self Drilling Screws
	COBRA STCLIP-089	Start/End clips	Black coated steel	N/A	Bag of 10 clips + 10 screws

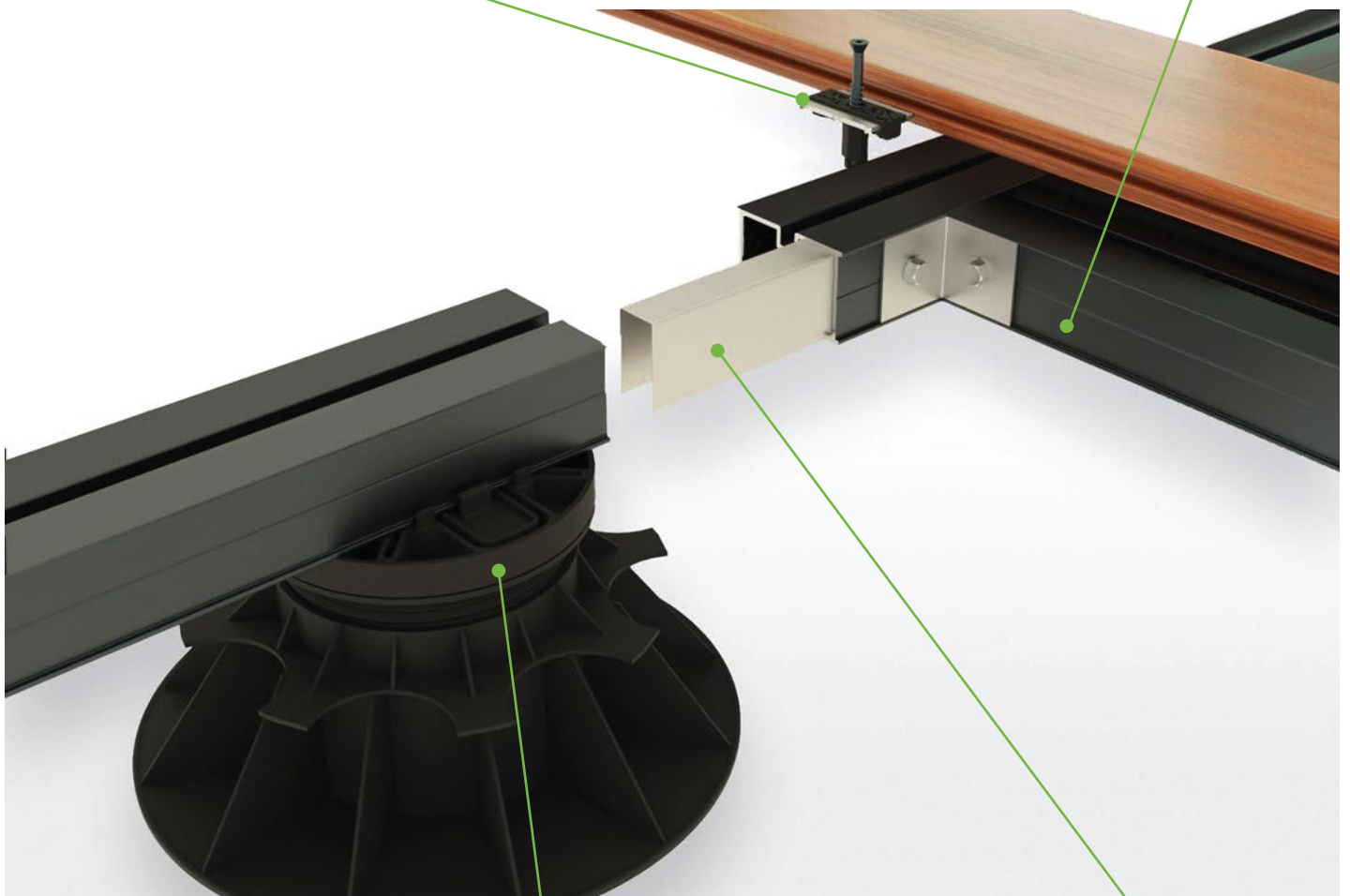
THE CONCEPT

Clip Cobra Tee-AL

- ✓ Universal clip for all grooved decking boards
- ✓ Pre-loaded screw, quick installation
- ✓ Easy one touch inserts inside the board groove

Aluminum joist

- ✓ Patented profile made from light aluminum alloy
- ✓ Strong and durable sub structure
- ✓ Exclusive black coating finish



Joist adapter AL60

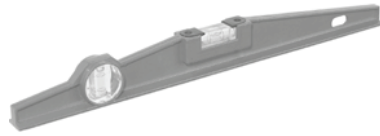
- ✓ To be fixed on top of NIVO pedestals
- ✓ Easy clip installation: no drilling, no screwing

Joist sleeve

- ✓ To connect joists
- ✓ Integrated centering pin

THE GUIDE

TOOLS REQUIRED



IMPORTANT NOTICE

- Check that the supporting ground is healthy, flat and stable and that it has a slope of 1% from the building to the outside.
- The spacing between the pedestals under the joists must not exceed 75 cm, overhang of 20 cm maximum.

STEP 1: OUTSIDE FRAME

Start by placing the peripheral joists along the edges, to create a frame.

CASE 1: SCREW INSTALLATION

The grooved side of the joist must be down.

CASE 2: CLIP INSTALLATION

The grooved side of the joist must be up.

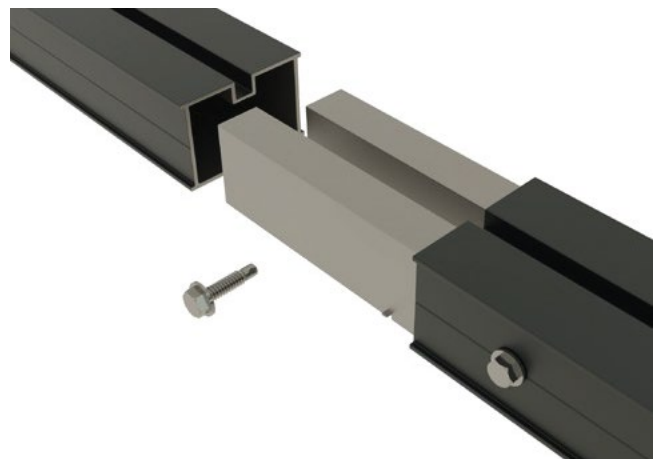


CONNECTING JOISTS:

The assembly brackets for 90° angles. It is possible to fold the brackets to obtain a custom angle.



The butt connectors for sleeving two straight joists



THE GUIDE

STEP 2: JOIST ADAPTER

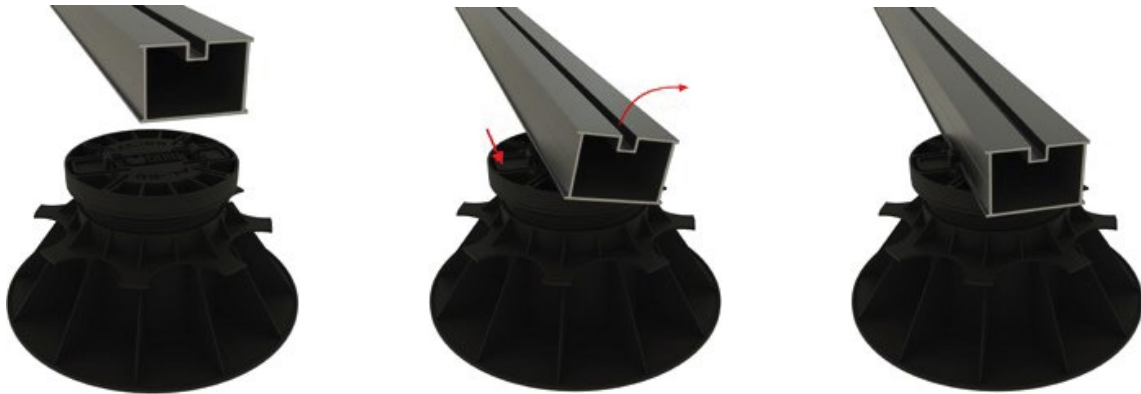
CASE 1: DIRECT INSTALLATION ON JOIST ADAPTER H: 13MM

Slide adapters under the joist and connect together

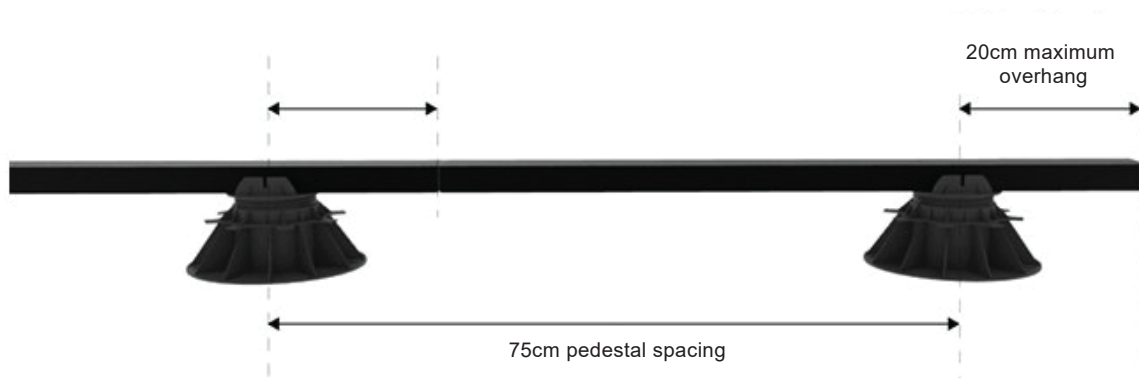


CASE 2: PEDESTAL INSTALLATION + JOIST ADAPTER

Slide the adapters under the joist and connect together, then assemble the adapter to the pedestal.

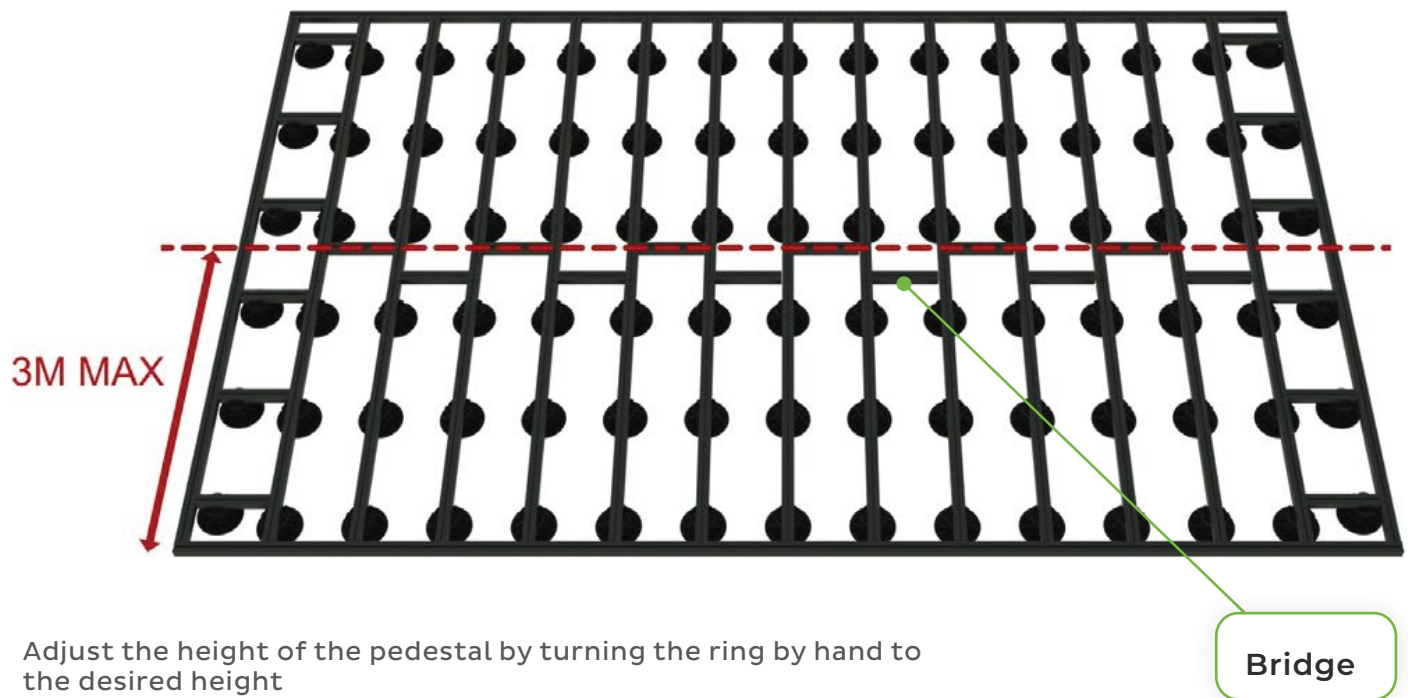


In both cases, provide a maximum spacing of 75 cm between pedestals, and 20cm overhang.



THE GUIDE

STEP 3: JOISTS AND BRIDGES INSTALLATION



- Adjust the height of the pedestal by turning the ring by hand to the desired height
- Then adjust the distance between the joists according to the recommendations of the manufacturer of the decking boards.
- Cut the joists to obtain bridges.
- The bridges will allow to maintain a perfect parallelism between the joists.
- At each corner of the frame, place a bridge as shown in the diagram.
- Finally, to allow the installation of the fascia, place the pedestals towards the inside of the frame.

THE GUIDE

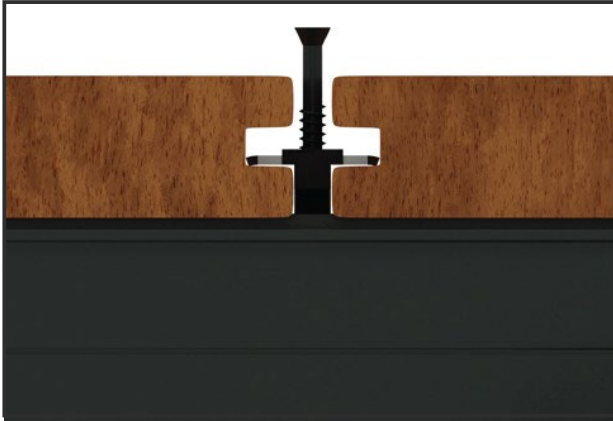
THE GUIDE

STEP 4: DECKING INSTALLATION



4.1

Screw the first board and place the clips in the grooves of the board and of the joist.



4.2

Position the second board then screw between the 2 boards using the long driver bit provided.



4.3

Position the next board then screw between the 2 boards using the long driver bit provided.

4.4

Repeat the previous steps until the last board.

4.5

Secure the last board with the start/end clip. The oblong hole in the clip allows you to adjust it according to the height of the groove in the deck board. Fix the fascia on the periphery of the frame using 4x35 mm screws.