



**NewTechWood**

**OUTDOOR  
FURNITURE**

Technical Specifications



# OUTLINE

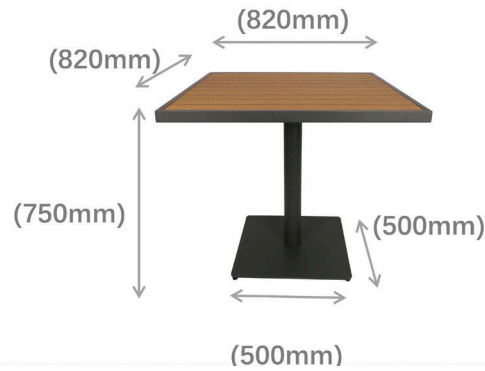
<b><i>MODELS</i></b>	<b>3</b>	<b><i>RECTANGLE TABLE</i></b>	<b>13</b>
Teak	3	Exploded View	13
Smoke White	4	Packaging	14
		Assembly	15
<b><i>ROUND TABLE</i></b>	<b>5</b>	<b><i>GARDEN BENCH</i></b>	<b>17</b>
Exploded View	5	Packaging	17
Packaging	6	Assembly	25
Assembly	7		
<b><i>SQUARE TABLE</i></b>	<b>9</b>	<b><i>GALLERY</i></b>	<b>27</b>
Exploded View	9		
Packaging	10		
Assembly	11		



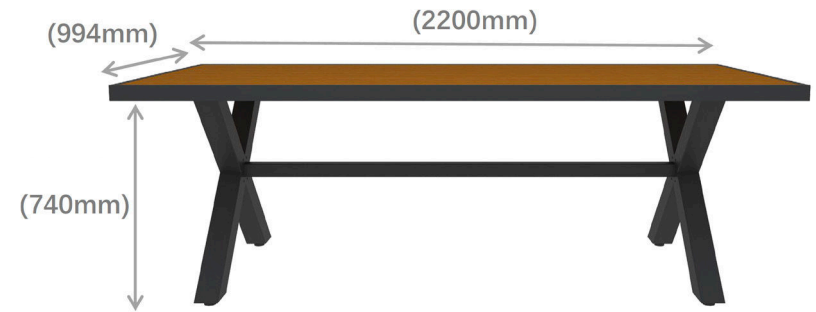
# MODELS - Teak



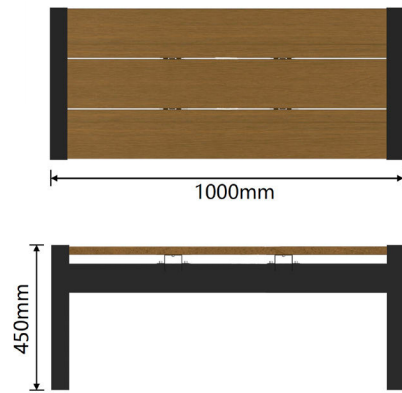
**Round**  
OD-RPT-720-TK



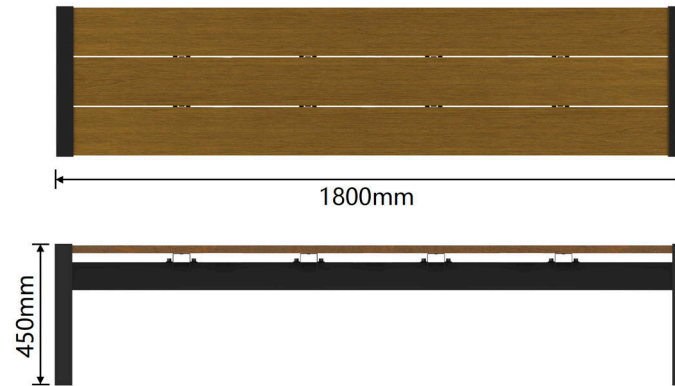
**Square**  
OD-SPT-721-TK



**Rectangle**  
OD-DIT-723-22-TK



**Bench 1000**  
NTW-BN02-10-US07-TK-ZX



**Bench 1800**  
NTW-BN02-18-US07-TK-ZX



## MODELS - Smoke White



**Round**  
OD-RPT-720-SW



**Square**  
OD-SPT-721-SW



**Rectangle**  
OD-DIT-723-22-SW

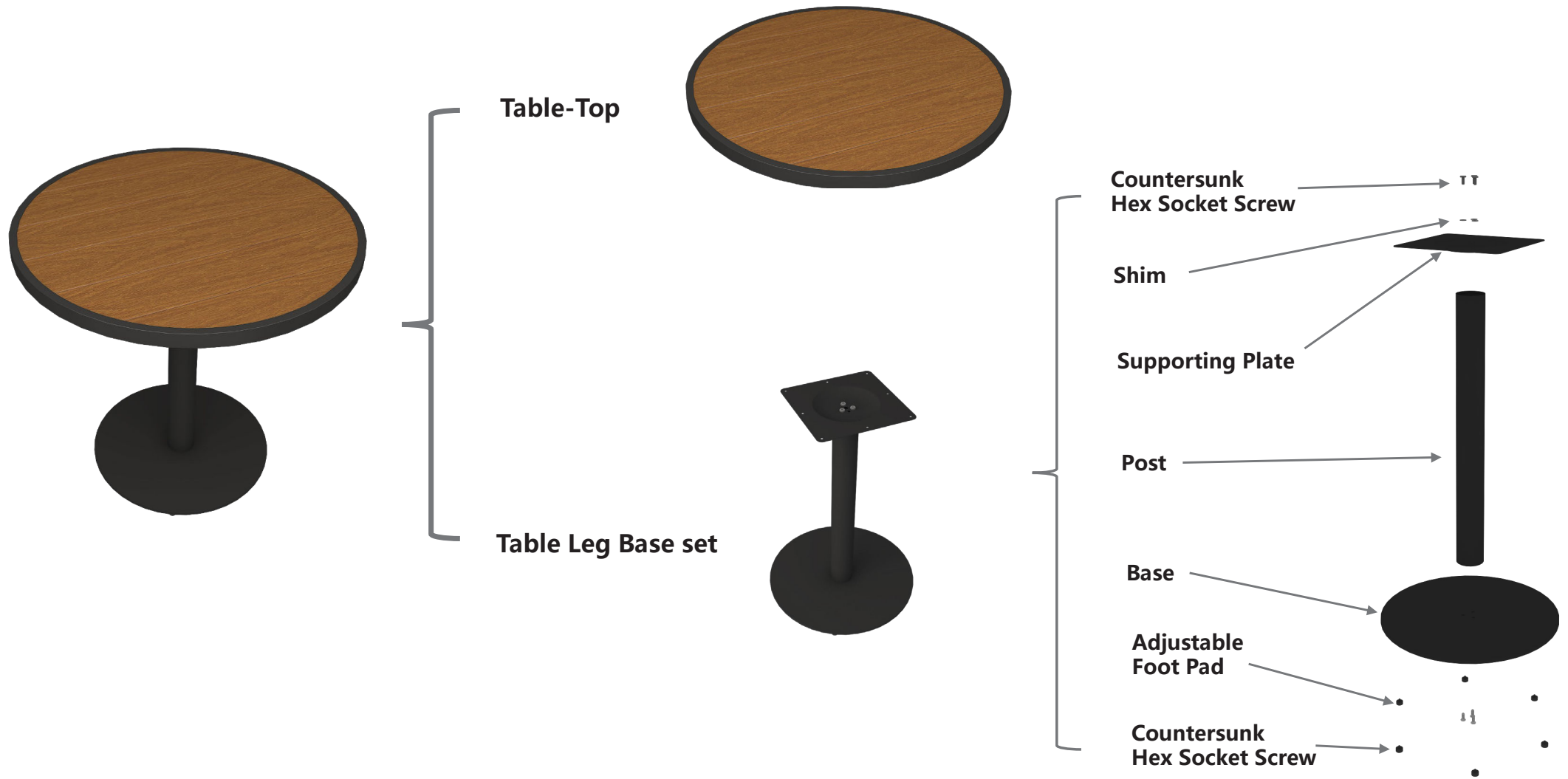


**Bench 1000**  
NTW-BN02-10-US07-SW-ZX



**Bench 1800**  
NTW-BN02-18-US07-SW-ZX

# ROUND TABLE - Exploded View





# ROUND TABLE - Packaging



1# Packaging

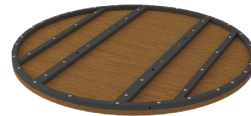


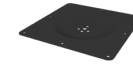
Table-top



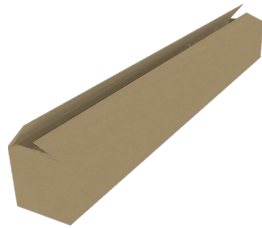
2# Packaging



Base



Supporting Plate








3# Packaging



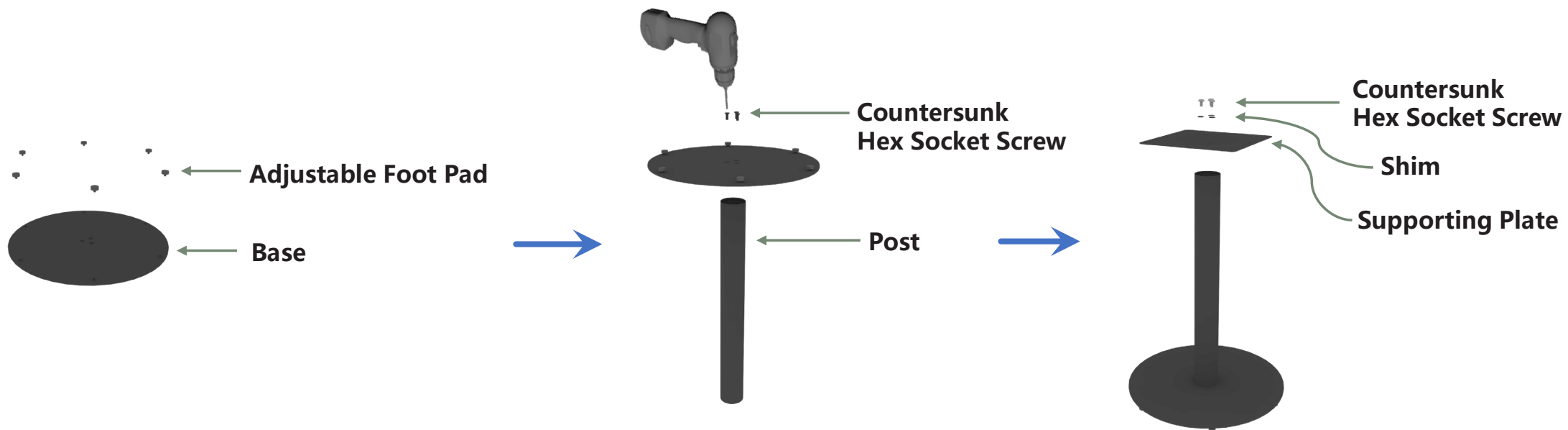
Post



Hardware Kit

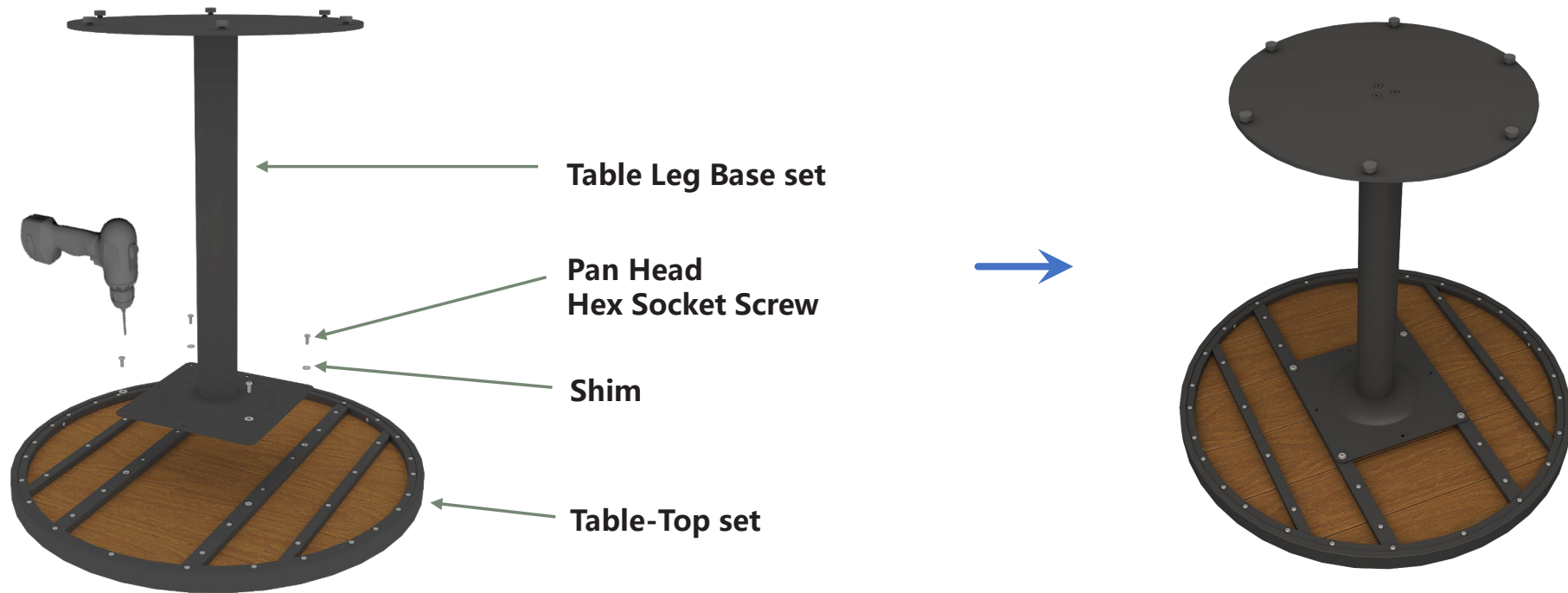
-  Countersunk Hex Socket Screw ×7
-  Pan Head Hex Socket Screw ×4
-  Shim ×7
-  Adjustable Foot Pad ×6
-  Hexagon Key

## ROUND TABLE ASSEMBLY - Step 1



Install the Table Leg Base

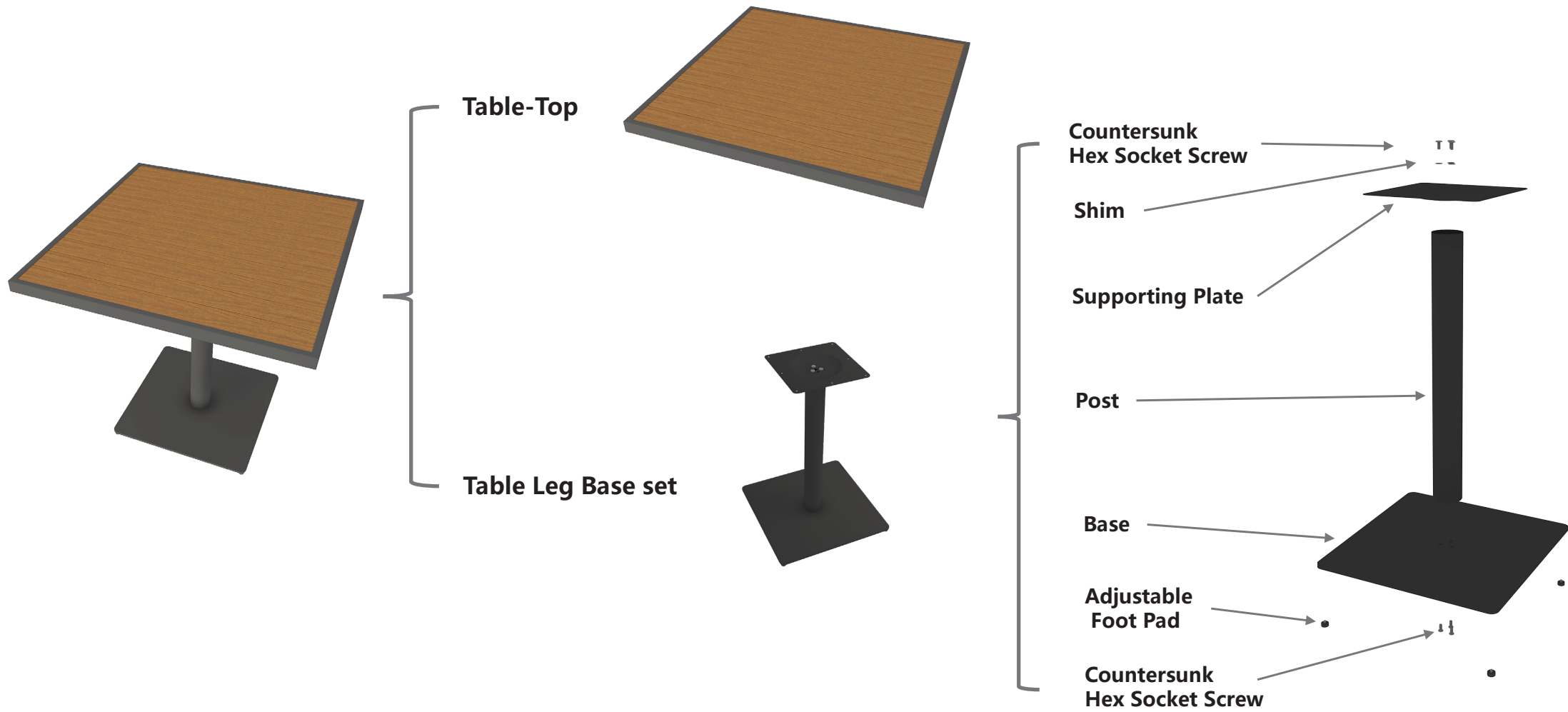
## ROUND TABLE ASSEMBLY - Step 2



Install the Table Leg Base set with the Table-Top set



# SQUARE TABLE - Exploded View



# SQUARE TABLE - Packaging



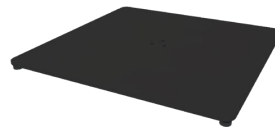
**1# Packaging**



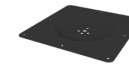
**Table-top**



**2# Packaging**



**Base**



**Supporting Plate**








**3# Packaging**



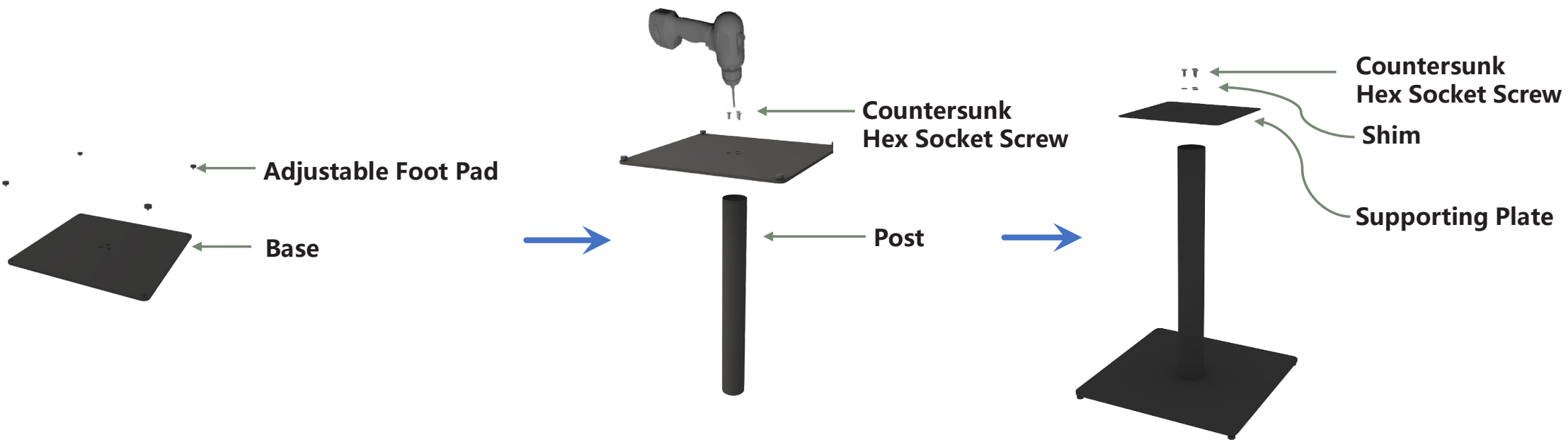
**Post**



**Hardware Kit**

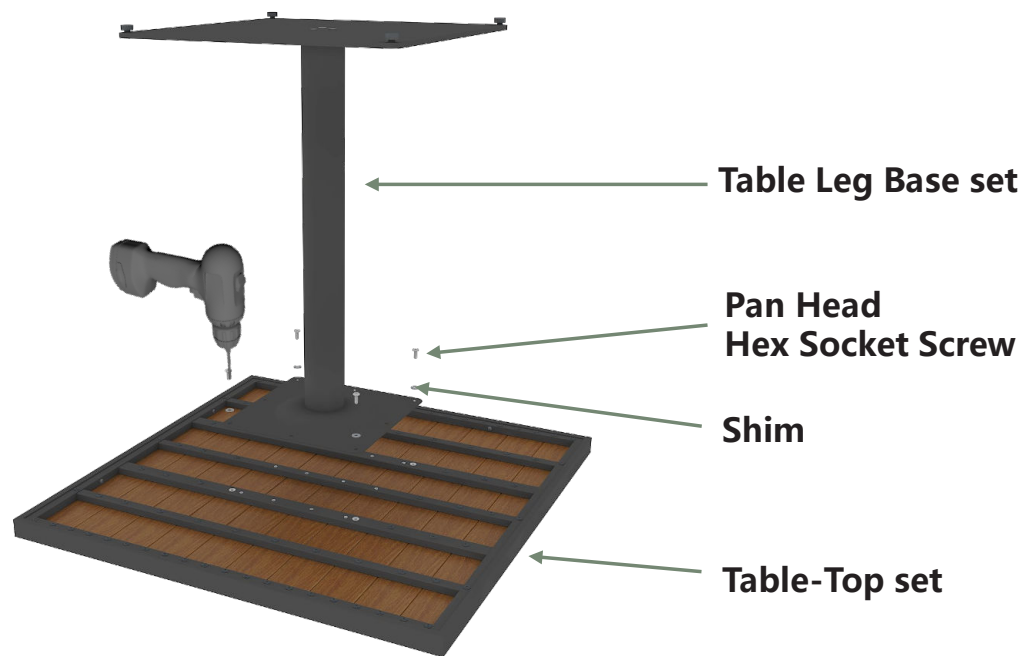
-  Countersunk Hex Socket Screw ×7
-  Pan Head Hex Socket Screw ×4
-  Shim ×7
-  Adjustable Foot Pad ×6
-  Hexagon Key

# SQUARE TABLE ASSEMBLY - Step 1



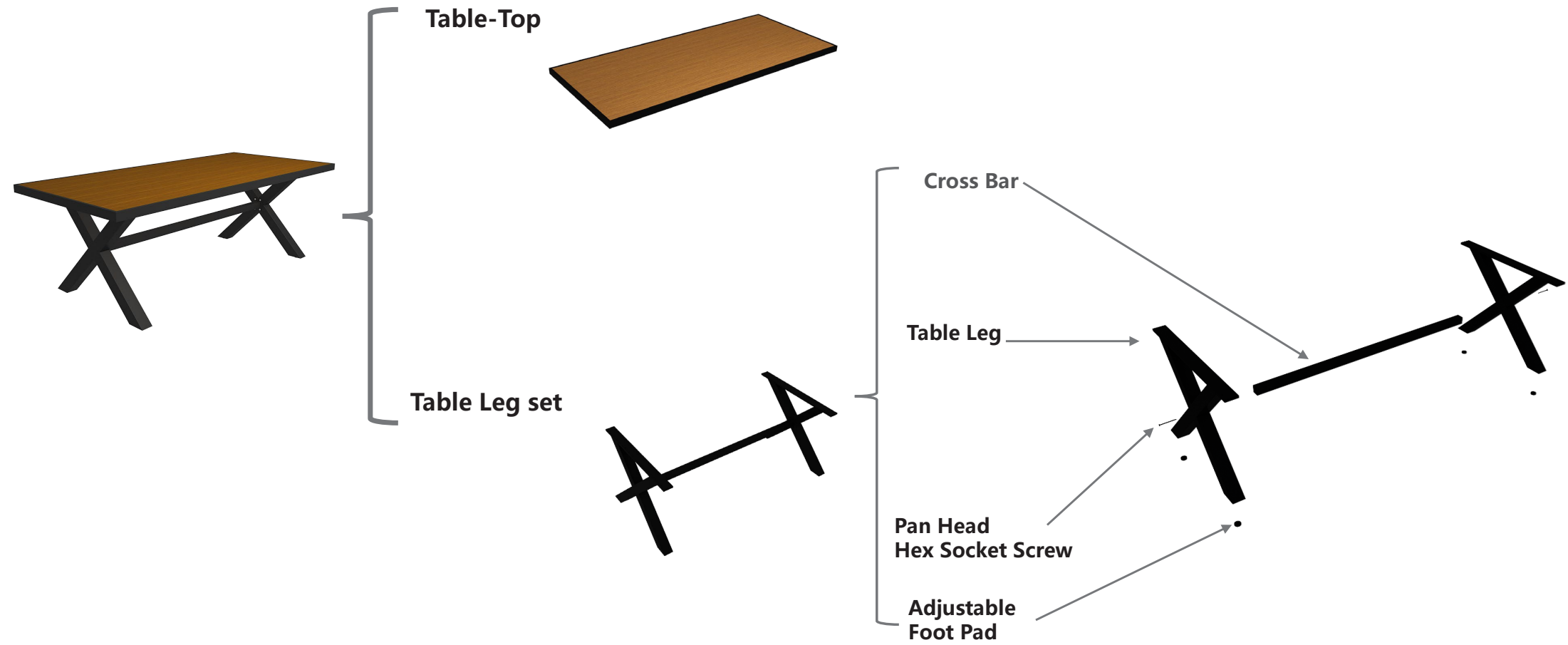
Install the Table Leg Base

## SQUARE TABLE ASSEMBLY - Step 2

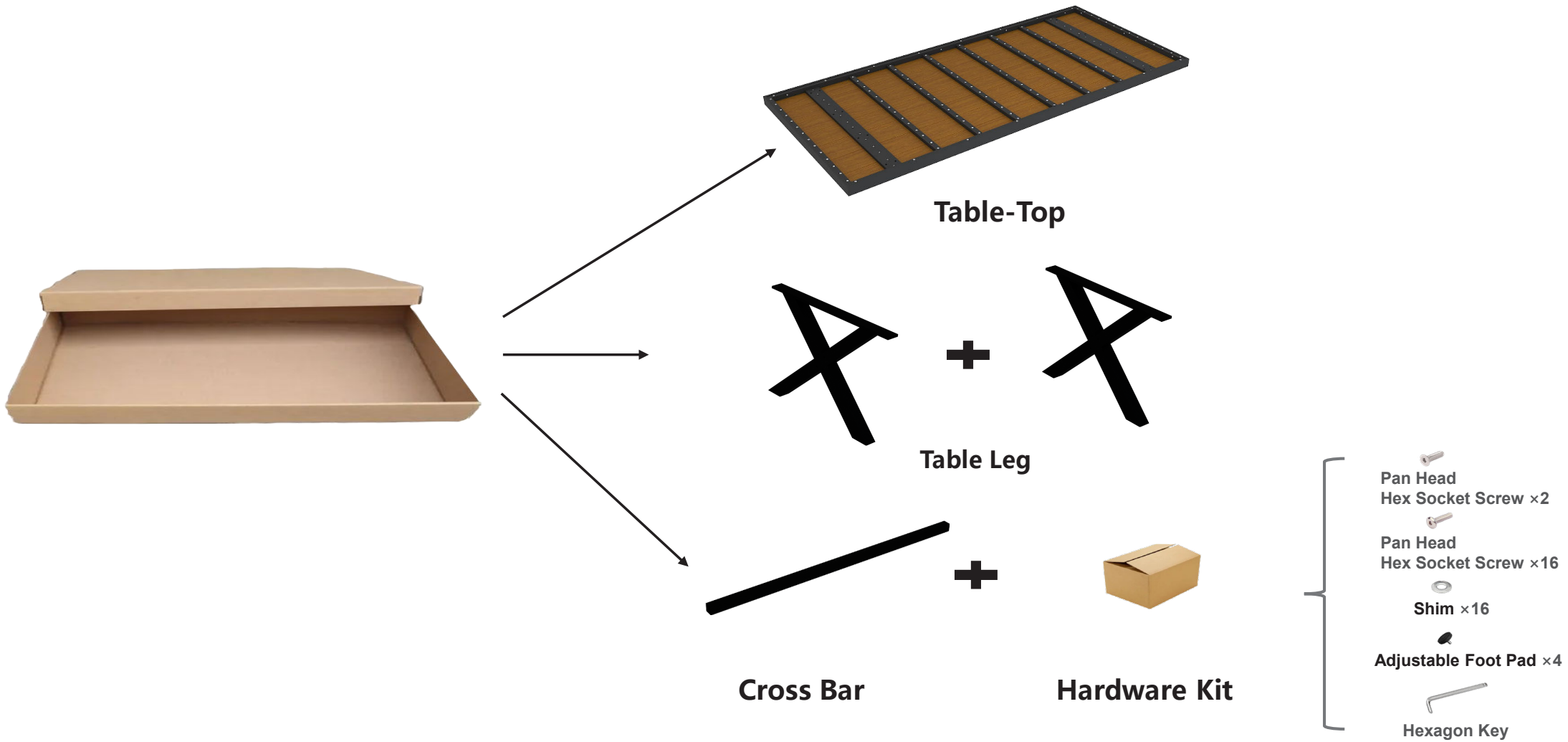


Install the Table Leg Base set with the Table-Top set

# RECTANGLE TABLE - Exploded View

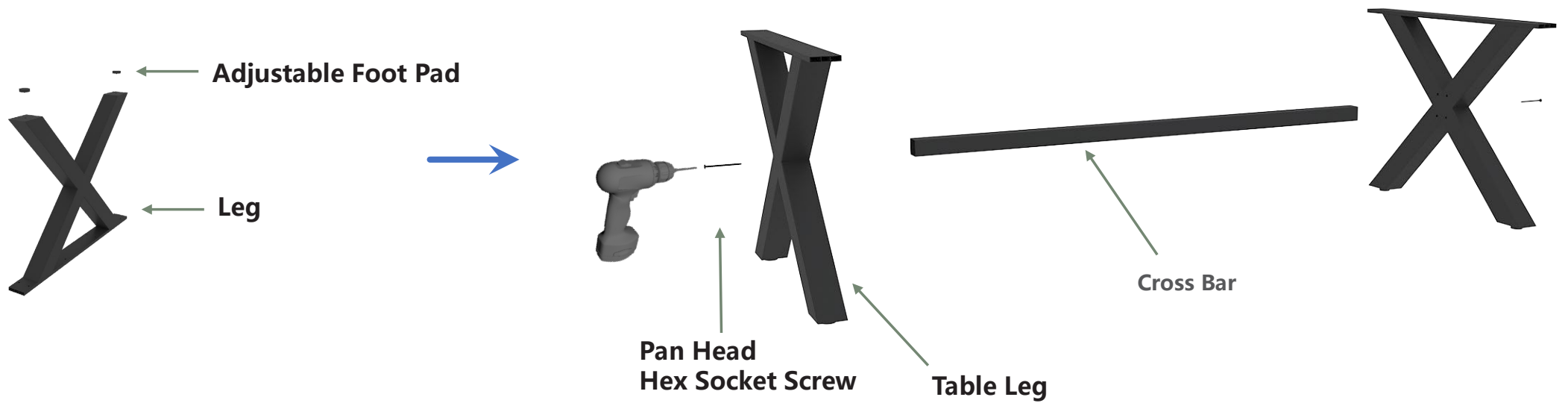


# RECTANGLE TABLE - Packaging



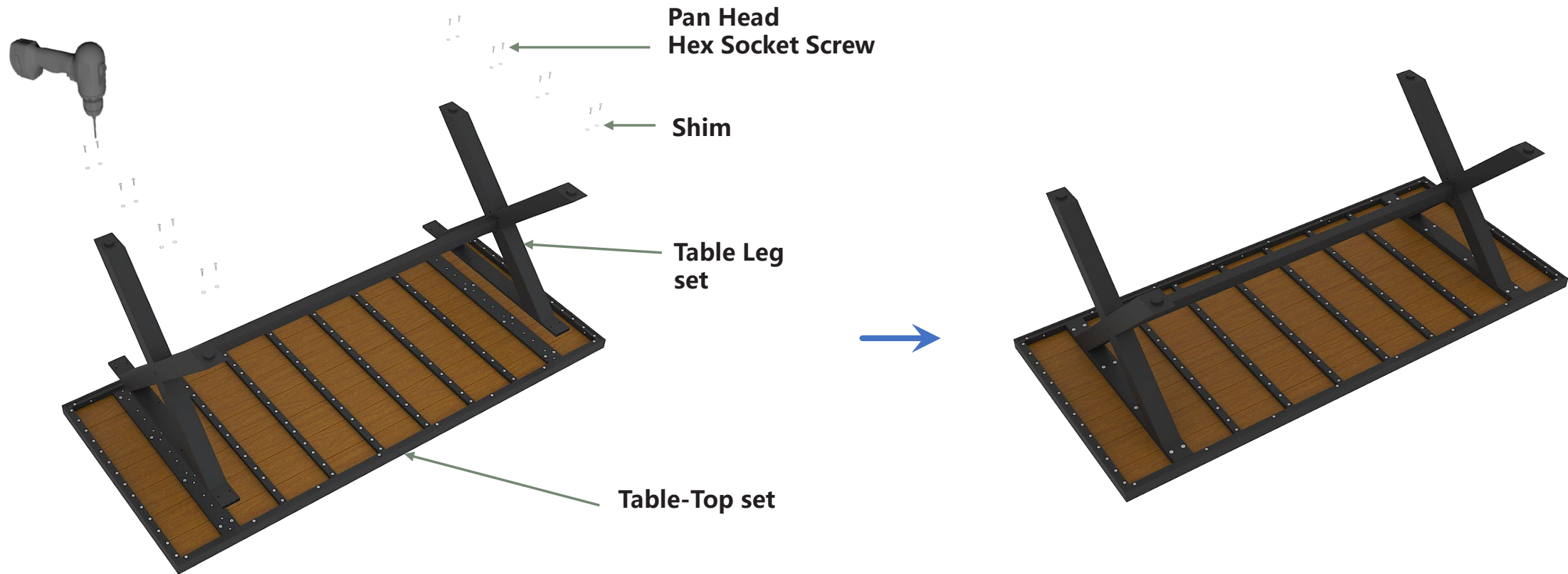


## RECTANGLE TABLE ASSEMBLY - Step 1



Assemble the Table Leg

## RECTANGLE TABLE ASSEMBLY - Step 2



Install the Table Leg with the Table-Top set

# GARDEN BENCH - Seat Packaging

**Packaging**  
Small Bench  
BN02-10



**Packaging**  
Long Bench  
BN02-18



# GARDEN BENCH - Stand Packaging

**Packaging**  
Bench Stand  
BN02-10  
BN02-18

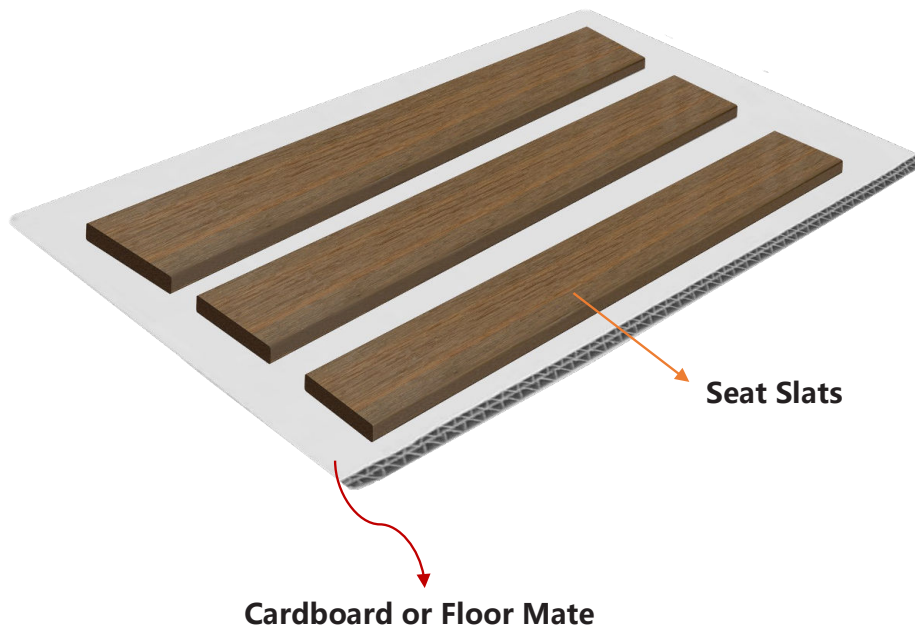


**Aluminum Stand**

# GARDEN BENCH ASSEMBLY

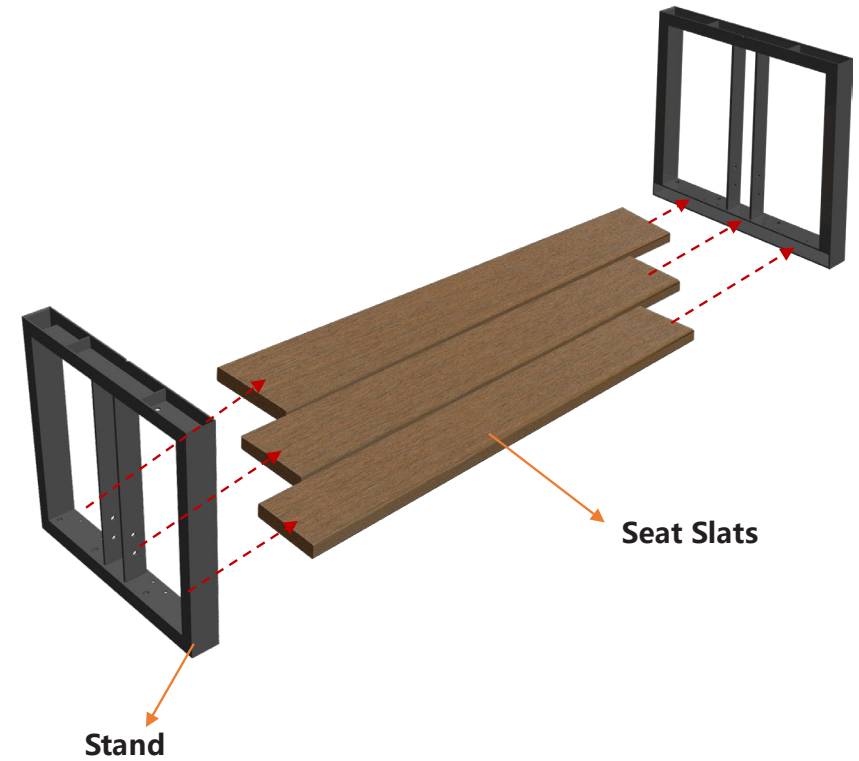
## Step 1

Put the Seat Slats on a soft material to prevent scratching.



## Step 2

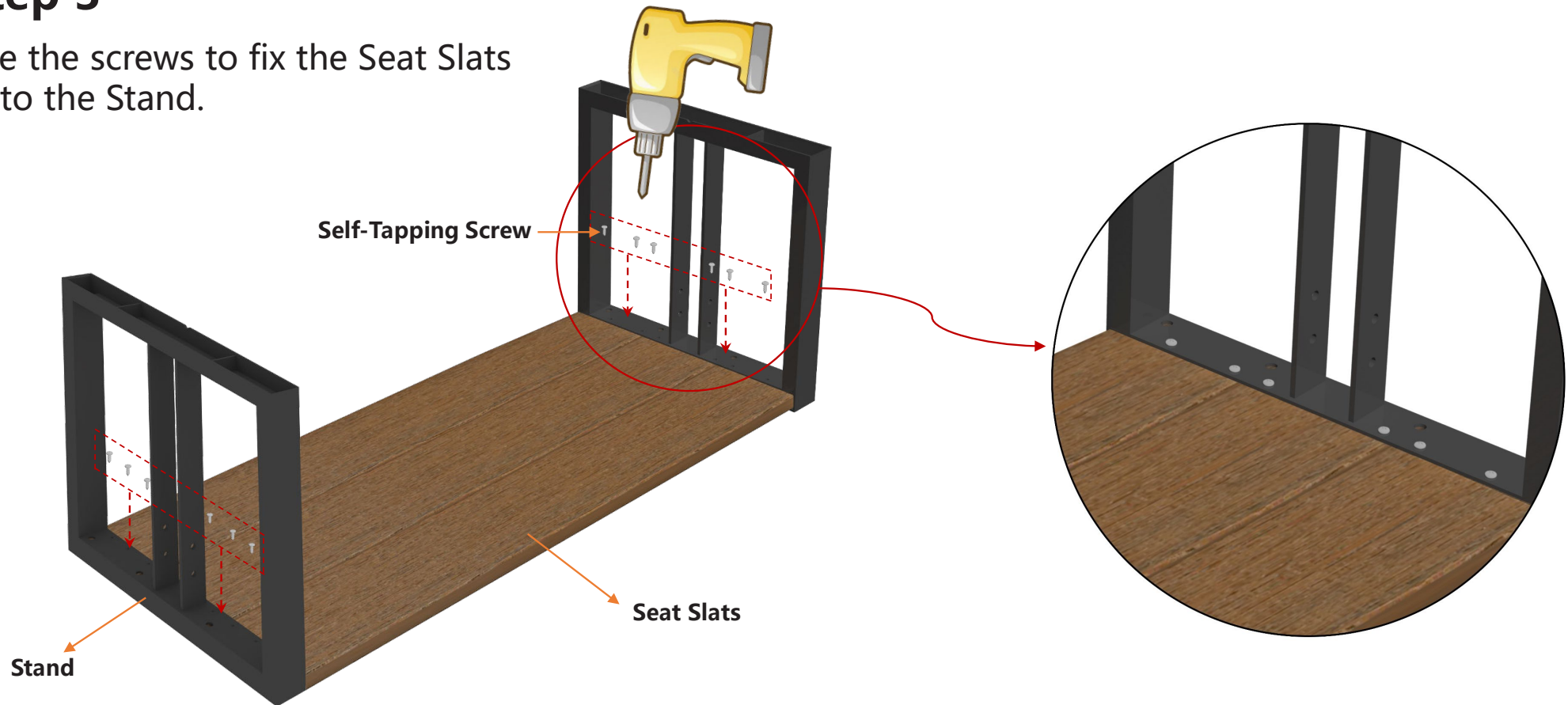
Insert the Seat Slats inside the Stand slot.



## GARDEN BENCH ASSEMBLY

### Step 3

Use the screws to fix the Seat Slats onto the Stand.

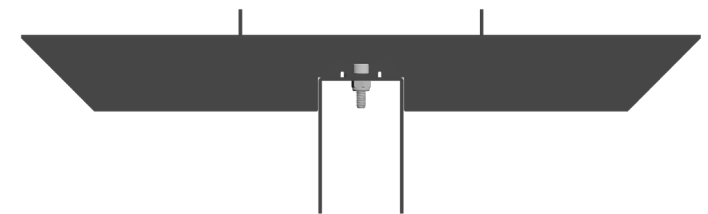
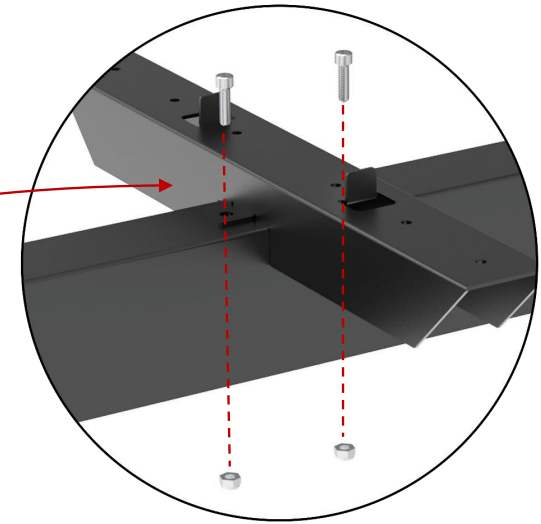
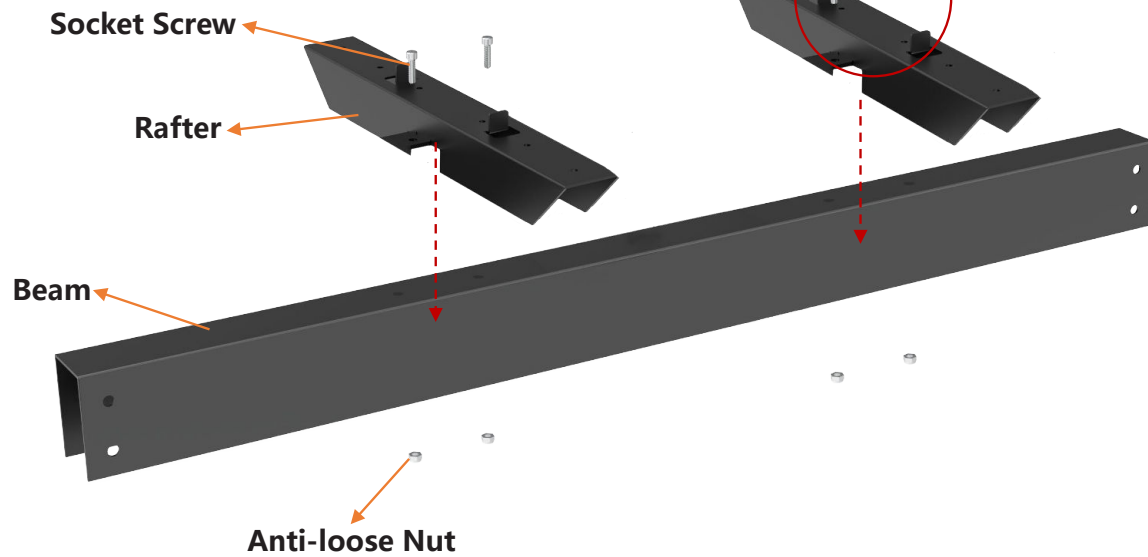




# GARDEN BENCH ASSEMBLY

## Step 4

Install the Rafter onto the Beam with Socket Screw and Anti-Loose Nut.



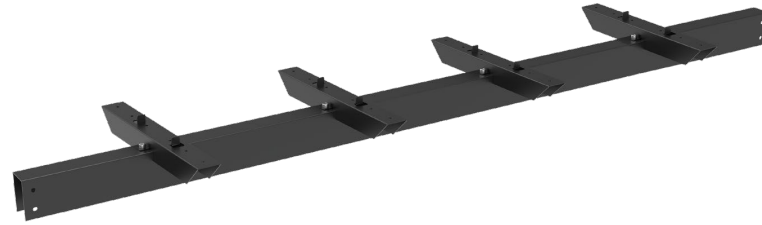
( Side Elevation )

# GARDEN BENCH ASSEMBLY

**Small Bench**



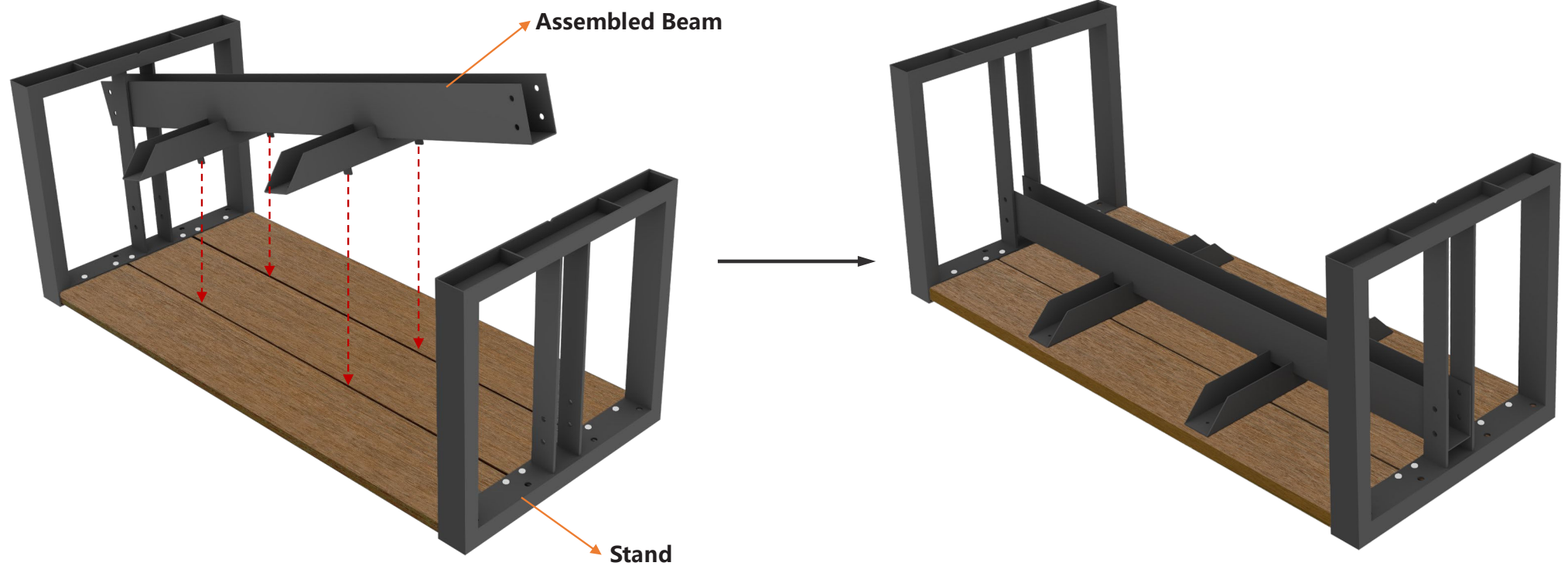
**Long Bench**



## GARDEN BENCH ASSEMBLY

### Step 5

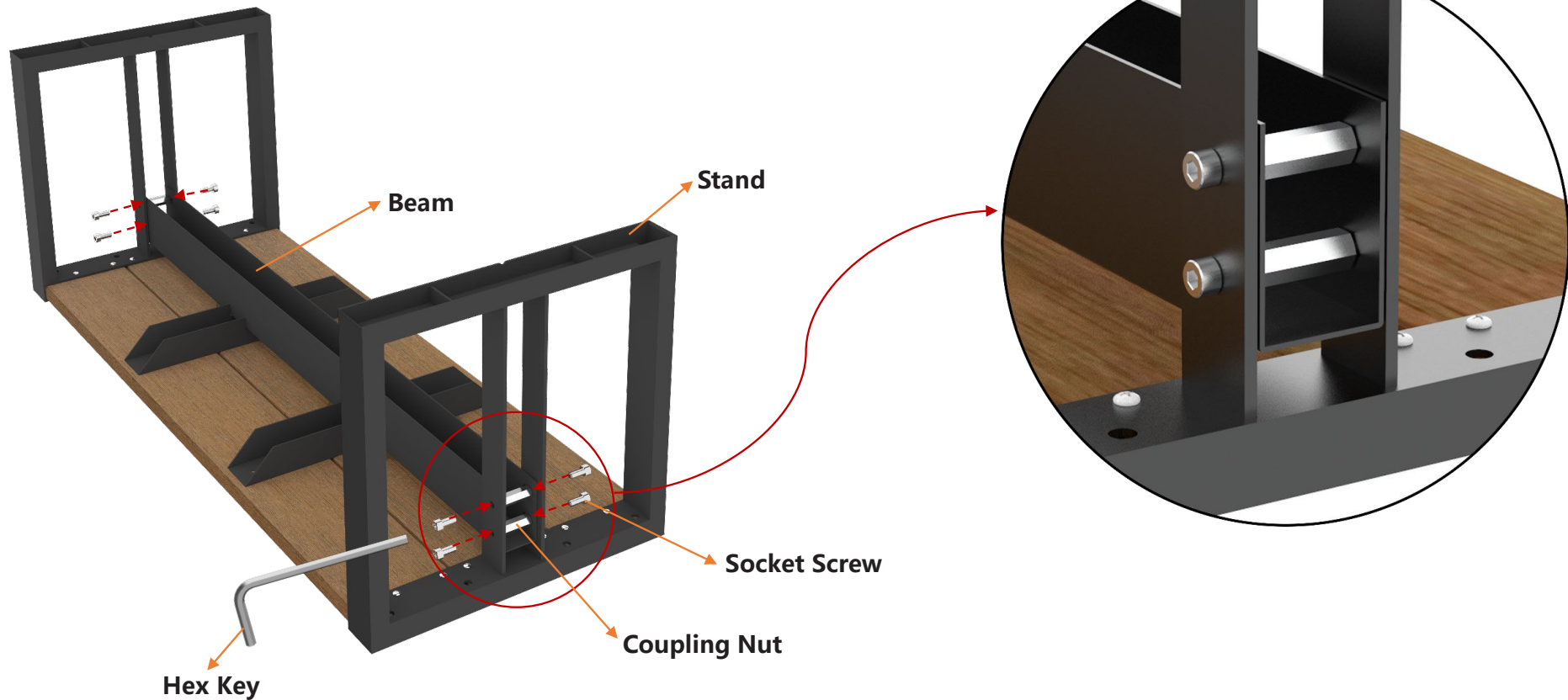
Put the assembled Beam into the Stand in place.



## GARDEN BENCH ASSEMBLY

### Step 6

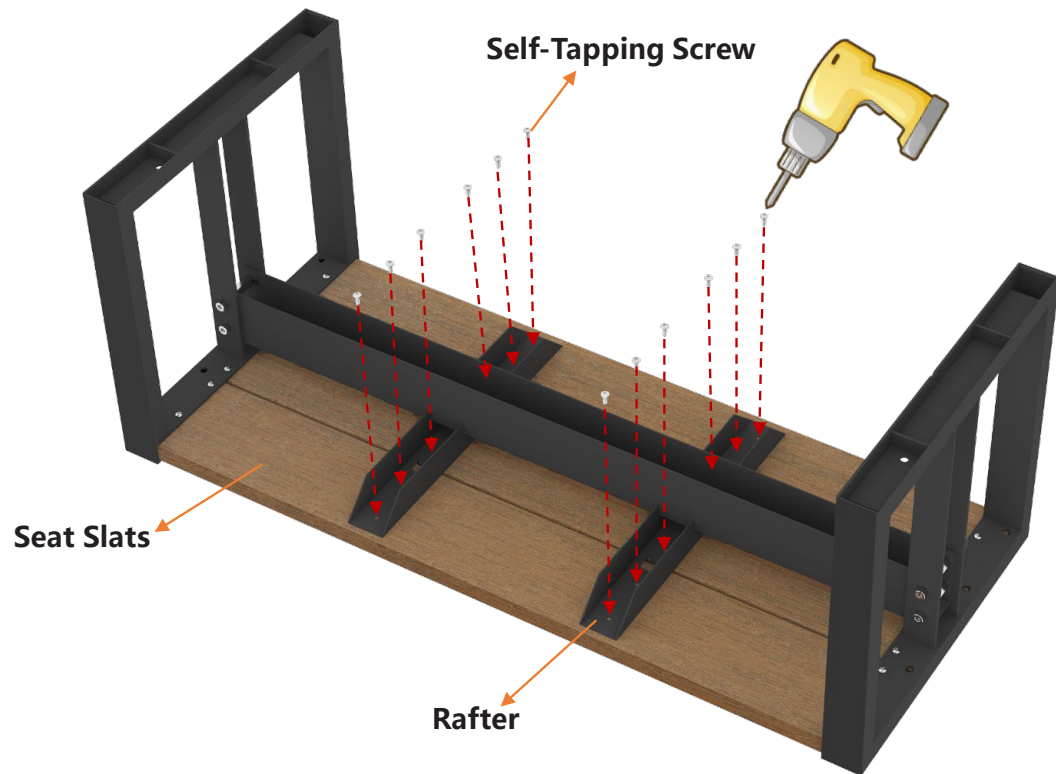
Fasten the Beam onto the Stand with Coupling Nut and Socket Screw.



## GARDEN BENCH ASSEMBLY

### Step 7

Fix the Rafter onto the Seat Slats with Self-Tapping Screws.



## GARDEN BENCH ASSEMBLY

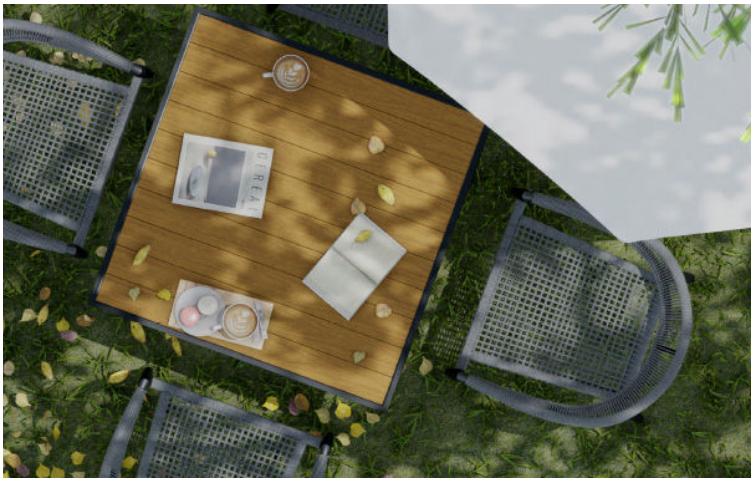
### Step 8

Turn over the Bench.





# GALLERY





# GALLERY

