



Decking Installation Guide

2024/AUS



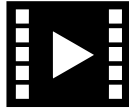
NewTechWood

Contents

Safety	1
Tools	1
Environment	1
Planning	1
Construction	1
Static	1
Static Continued	2
Care and Maintenance	2
Ventilation	2
Fire	2
Fasteners	2
Acclimate	4
Routing	4
Storage	4
Framing	6
NewTechWood Decking Fixing Specifications	6
Joist Spanning on Centre-to-Centre with Angled Decking Installations	6
Sealing the Ends	6
Expansion and Contraction Values	7
Decking Layouts	8
Decking Installation – Avenue (US92) / Terrace (US49) / Coastal (US54)	9
Starting Board Installation	9
Starting Accessory MG-3 Installation	9
Starting Accessory K-37 Installation	9
Starting Board Installation – Coastal (US33)	10
Grooved Edge Board Installation	12
Cobra T-Clip Installation	12
Mini Gap Clip Installation	13
Fascia Board Installation	16
End Cap Installation	16
Stair Tread Installation	17

IMPORTANT:

Read All Sections Before You Start



Refer to installation videos on our website:
<https://newtechwood.com.au/installation-guides/>

Prior to installing any composite decking, it is recommended that you check with local building codes for any special requirements or restrictions. The diagrams and instructions outlined in this guide are for illustration purposes only and not meant or implied to replace the expertise of a licenced professional. Any construction or use of NewTechWood must be in accordance with all local zoning and/or building codes. The consumer assumes all risks and liability associated with the construction and use of this product.

Safety

When dealing with any type of construction project, it is necessary to wear appropriate safety equipment to avoid risk of injuries. NewTechWood recommends the following safety equipment when handling, cutting, and installing NewTechWood: glove, respiratory protection, long sleeves, pants, and safety glasses.

Tools

Standard woodworking tools may be used. It is recommended that all blades have a carbine tip. We also recommend using blades with 60+ teeth. Standard stainless steel or acceptable coated deck screws are preferred.

Environment

A clean, smooth flat and strong surface is needed to install NewTechWood's products correctly. Please check with local building codes before installing any type of decking. If installation does not occur immediately, NewTechWood's products need to be stored on a flat surface at all times.

Planning

Plan a layout for your decking before starting to ensure the best possible design for your project. Building codes and zoning regulations generally apply to permanent structures, meaning anything that is anchored to the ground or attached to the house. We recommend drawing out a site plan of your proposed project to minimize errors and achieve the best outcome.

Construction

NewTechWood is NOT intended for use as columns, support posts, beams, joist stringers, or other primary load-bearing members. NewTechWood must be supported by a code-compliant substructure. While NewTechWood products are great for retrofits, NewTechWood's products CANNOT be installed directly on top of existing decking boards.

Static

All composite decking may be prone to some level of static. Static build-up is a phenomenon that may occur with many plastic products and there is no simple answer why some composite decks generate more static than others. Location, climate, capped composites, and the amount of time people spend on the deck, etc., are all potential factors that can have an impact.

Static Continued.

There are some options that will help and possibly alleviate the static issue.

1. Install antistatic rubber strips in the gaps between the first 3-4 boards.
2. Use a static mat on the deck at the door. <https://www.matshop.com.au/specialty-mats/anti-static-mats>.
3. Use a Heavy Duty Staticide product. This works well, however, it will only give protection for 6-8 months. https://www.aclstaticide.com/heavy_duty_staticide.html

NewTechWood's products have been tested against EN 1815 – Assessment of Static Electrical Propensity and have received values under the maximum standard of 2Kv under test conditions.

Care and Maintenance

If building or renovations are taking place, cover the deck to avoid concrete or gyprock dust getting on the deck. Mineral deposits left over from construction can mix with water and evaporate leaving deposits behind which creates a white haze on the deck's surface. We recommend leaving the laying of your new deck until after all other works have been completed.

Ventilation

NewTechWood products CANNOT be installed directly onto a flat surface. Decking must be installed onto a substructure, to ensure there is adequate and unobstructed air flow beneath the decking to prevent excessive water and moisture build-up.

Please refer to the NewTechWood Fixing Speciation table on page 5 for the minimum distance requirements between the ground surface and the deck boards.

Fire

Excessive heat on the surface of NewTechWood products from external sources such as fire or reflection of sunlight from energy efficient window products (low-emissivity (Low-E) glass) can potentially harm NewTechWood products. Low-E glass is designed to prevent passive heat gain within a structure and can cause unusual heat build-up on exterior surfaces. This extreme elevation of surface temperatures, which exceeds that of normal exposure, can potentially cause NewTechWood products to melt, sag, warp, discolour, increase expansion/contraction, and accelerate weathering over time.

NewTechWood customers that have concerns about possible damage by Low-E glass should contact the manufacturer of the product which contains Low-E glass for a solution to reduce or eliminate the effects of reflected sunlight.

Fasteners

NewTechWood composite deck boards are designed to be installed with the NewTechWood hidden fix system, which is available with 2 gapping options: 5.5mm or 1.5mm. The NewTechWood hidden fixing clips allow the boards to expand and contract without issue.

Fasteners continued.

NewTechWood does not recommend face-fixing the complete deck as the deck boards may not perform as designed

Acclimate

Acclimating at least 2 days prior to installation is recommended.

Acclimating the boards will minimise any unwanted shrinkage issues during and after installation.

Note: Always remember when allowing the boards to acclimate at the job site, it is important to place them on a flat and even surface. If put on an uneven surface there is a possibility that the boards may warp to the shape of the terrain.

Routing

Solid boards can be routed for hidden fasteners to be placed in them as shown in Diagram 4.

Note: Boards should never be routed the entire length.

Fascia boards can also be routed to allow for expansion and contraction.

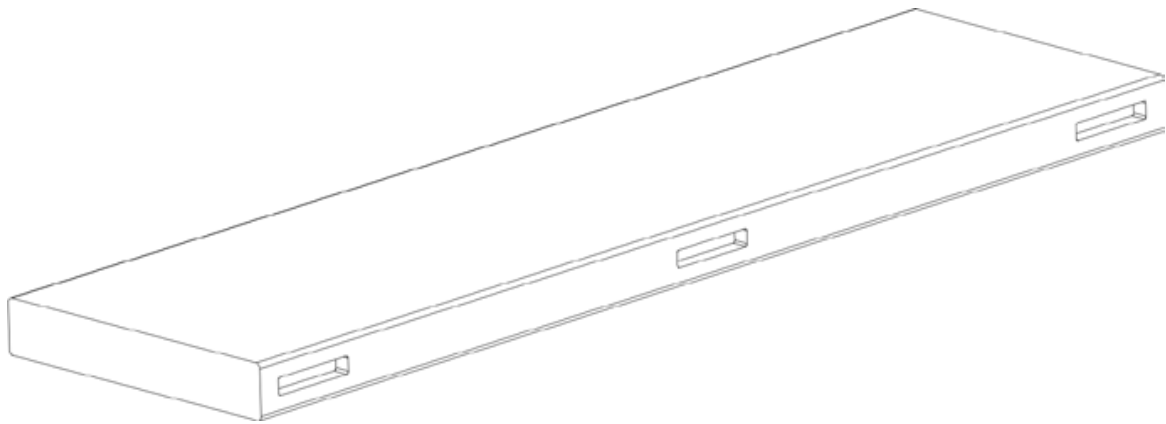
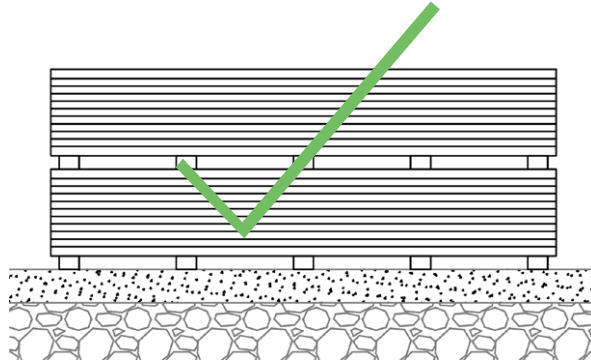


DIAGRAM 4

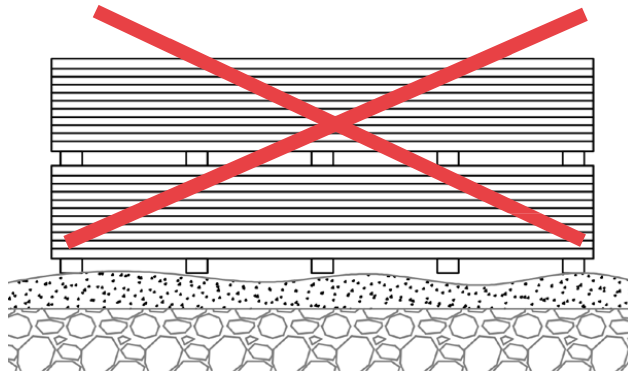
Storage

NewTechWood's products always need to be stored on flat solid surfaces. Surfaces such as dirt and grass are not sufficient as they can move over time.

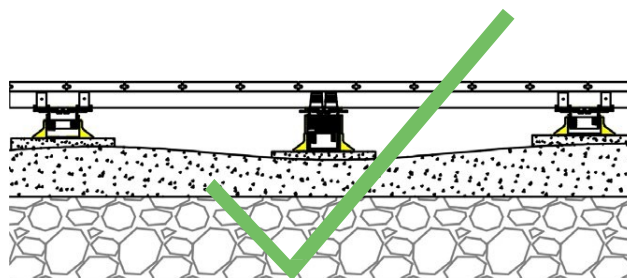
Storage Continued.



NewTechWood products shown above put on a flat surface on joists is the correct way for storage.



NewTechWood products stored on an uneven surface will make the products prone to warping and distortion.



NewTechWood products can be stored on pedestals or jacks if the surface is uneven, as shown above. Consult with the pedestal or jack manufacturer before using the product to ensure its compatibility with NewTechWood's products.

Framing

First, determine the decking span, that is, how far apart your joists will be.

The frame needs to be completely level before installing any boards.

Note: Adequate spacing between the joists is required to keep the deck boards from bending.

Please review the chart below to see what spacing is required for your NewTechWood deck profile.

NewTechWood Decking Fixing Specifications

Maximum Decking Span on Centres					
Profile Code	Specifications	Residential Span	Commercial Span	Min Ground Clearance	Min Ground Clearance over Concrete
US49 / US63	138mm x 25mm	450mm	350mm	300mm	40mm
US54	210mm x 23mm	400mm	300mm	300mm	40mm
US33 / US07	138mm x 23mm	400mm	300mm	300mm	40mm

Expansion and Contraction Values

NewTechWood deck boards will experience expansion and contraction with changes in temperature. Expansion and contraction are most significant where extreme temperature changes occur.

Fastening the deck planks according to the gapping requirements noted in the following table, Diagram 5, accommodates for this movement.

Installation Temperature (°C)	Length (Metres)										Gap (mm) To leave Between Boards *
	1	2.44	2.8	3	3.66	3.9	4	4.88	5.4		
10	1.2	3.9	4.5	4.8	5.9	6.2	6.4	7.8	8.6		
15	1.4	3.4	3.9	4.2	5.1	5.5	5.6	6.8	7.6		
20	1.2	2.9	3.4	3.6	4.4	4.7	4.8	5.9	6.5		
25	1.0	2.4	2.8	3.0	3.7	3.9	4.0	4.9	5.4		
30	0.8	2.0	2.2	2.4	2.9	3.1	3.2	3.9	4.3		
35	0.6	1.5	1.7	1.8	2.2	2.3	2.4	2.9	3.2		
40	0.4	1.0	1.1	1.2	1.5	1.6	1.6	2.0	2.2		
45	0.2	0.5	0.6	0.6	0.7	0.8	0.8	1.0	1.1		

DIAGRAM 5



***NOTE:** The above shows the overall gap required. If the boards have a gap at each end, then halve the value shown.

If you want to manually calculate the expansion and contraction you can follow the below guidelines:

What you will need to know:

- Coefficient of Linear Expansion (CLE): 0.04 mm/m (°C)
- Installation Temperature (°C)
- Maximum or Minimum Temperature in your region (°C)
 - a) When installing at a low temperature always use the maximum temperature in your region to calculate
 - b) When installing at a high temperature always use the minimum temperature in your region to calculate
- Length of the Board (mm)

Gapping = Coefficient of Linear Expansion (CLE, °C) x Length of the Board (m) x (Max. or Min. Temp. in your region - Installation Temp. °C)

Note: If you are still unsure what gapping to use, contact the manufacturer and they will give you the correct gapping requirements based on your environment and area.

Decking Layouts

When installing decking there are a multitude of different designs and patterns to suit your taste. Below we have taken some of the most popular types of installation from around the world, for examples:

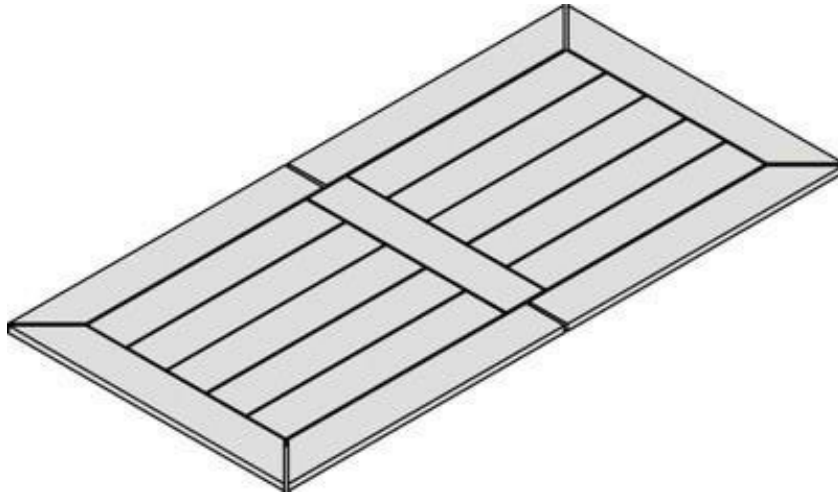


DIAGRAM 6

Diagram 6 shows a deck that utilizes breaker boarding (a vertical board to divide the deck when the deck is too long) and picture framing. Picture framing is when a border is created to wrap around the deck. Picture framing is great when you want to give your deck that eye-catching pop. Get this look by using a different colour on the border.

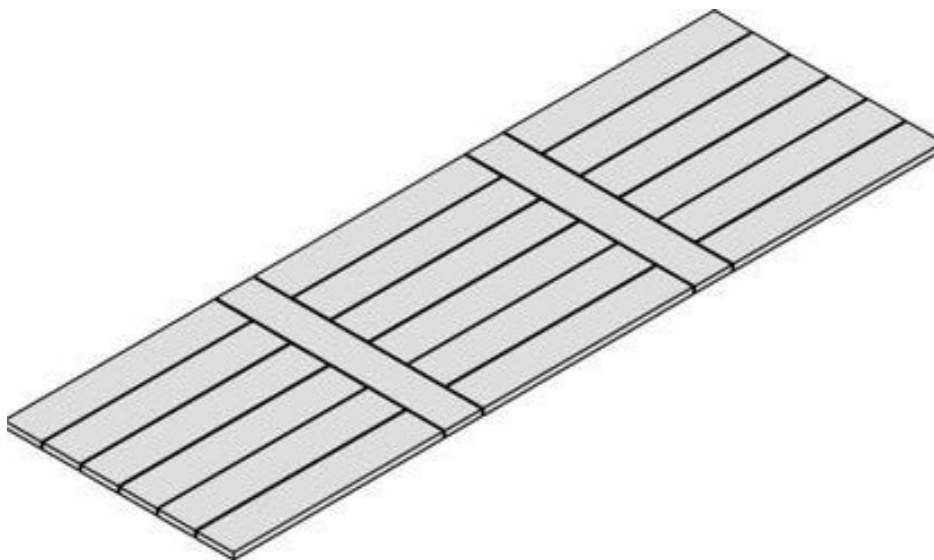


DIAGRAM 7

Diagram 7 shows a deck utilizing the breaker board, which is a board running vertically across to split up two sections of the deck if the deck is too long. Breaker boarding also helps minimize the appearance of expansion and contraction.

Decking Installation –

Starting Board Installation – Coastal (US33)

Use the Table on Page 6 to determine the centre to centre spacing for the US33 profile.

1 MG-3 Starter.

After calculating the decking span and constructing the frame of your deck, the first board is ready to be installed. Then you can start to measure where the MG-3 starting clip will go. Use a white chalk line (NEVER USE COLOURED CHALK) to ensure that all MG-3 starting clips are lined up on each joist.

Note: The US33 profile can only cantilever 15 mm. If the bullnose profile cantilevers more than this, the warranty will be voided.

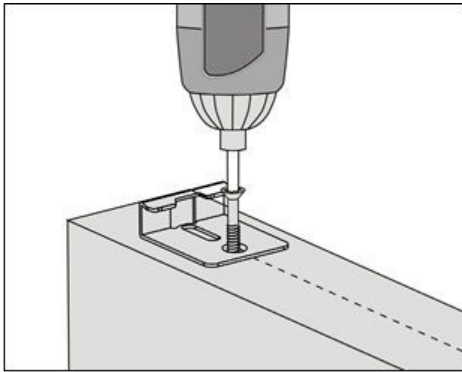


DIAGRAM 16

2 Now take the US33 board and place it right over all the MG-3 starting clips and push down as shown in Diagram 17 below.

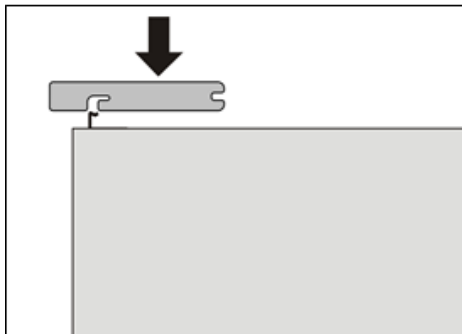


DIAGRAM 17

3 Now that the MG-3 starting clips are inside the underside of the board, the final step is to push forward to ensure that it is secured into place as shown below in Diagram 18.

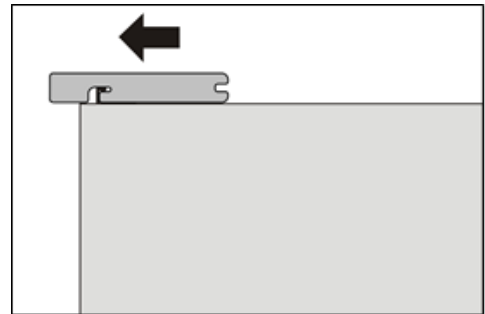


DIAGRAM 18

4 You are now ready to proceed to the Grooved Edge board – Page 14

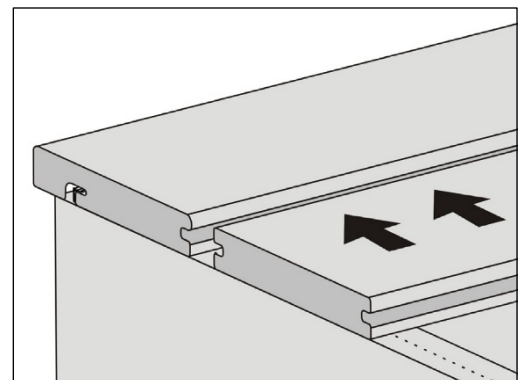


DIAGRAM 19

5 Finally, finish your last board by face fixing into the board at every joist as shown in Diagram 20 below

Note: Remember to pre-drill before face fixing into the board. Also face fixing must happen at a 90 degree angle and must be at least 38.1 by 38.1 mm from the ends and the width of the board.

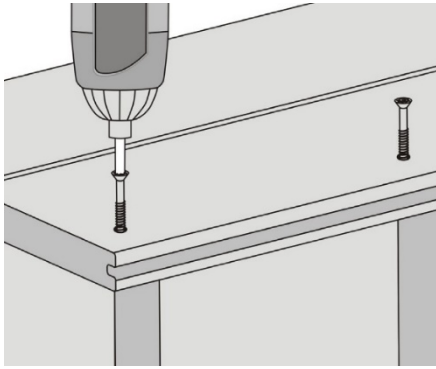

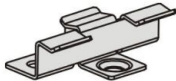
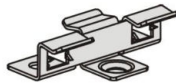





DIAGRAM 20

Refer to Fascia Installation on Page 16 for information on installing Fascia boards.

Below is a table for the clips used:

Code	Image	Description	Gap	Suites Profiles
TC28		T-CLIP	5.5mm	US49 / US92 / US54
MG1		MINI GAP CLIP	1.5mm	US49 / US92 / US55
MG2				
TC30		T -CLIP	8.5mm	US71
MG3		STARTER CLIP	N/A	US49 / US92 / US54
K37		STARTER END CLIP	N/A	US49 / US92 / US55

Grooved Edge Board Installation

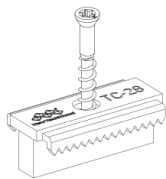
Follow instructions below for either T-Clip or Mini Gap Clip for all decking ranges.

Once the starter board has been installed, the remainder of the boards are fixed with either T-Clips or Mini Gap Clips, depending on your required gap.

OPTION 1

TC28 T-Clip Installation

1



TC28 T-Clip

Insert the T-Clip into the grooved edge of the deck board. Slide the second board into the hidden fastener. Screw down the hidden fastener.

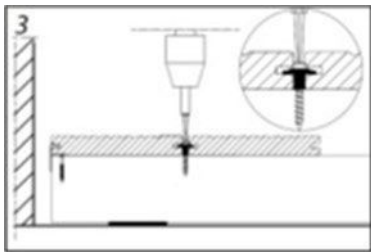


DIAGRAM 22

2

Tighten the second board with a rubber mallet to ensure a consistent gap of 5.5mm max between the two boards.

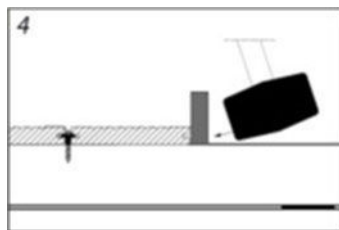


DIAGRAM 23

3

Repeat steps 1-2 to finish installing the remaining boards. Then continue as follows.

4

For the final board use the start/end fasteners and screw the fastener in from the side to fix the last board in place. Refer Diagram 24.

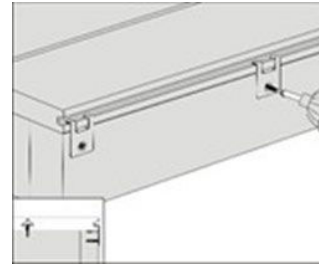


DIAGRAM 24

5

Finally, install the fascia. Fascia boards always need to be pre-drilled and countersunk before they can be face fixed. Refer Page 17 for fascia installation.

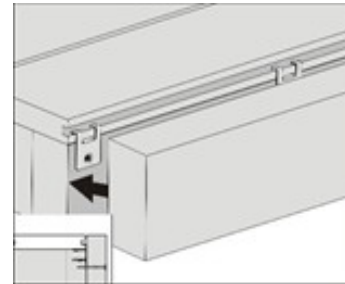
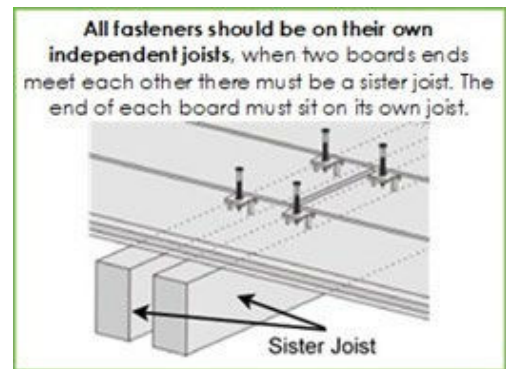


DIAGRAM 25



IMPORTANT: Our Metal Fix screws are suitable for steel joists of up to 2mm in thickness. If thicker than 2mm, you must pre-drill each hole. Cobra Metal Fix clips are not warranted for fixing to Stratco Probeam or similar double-walled steel profiles.



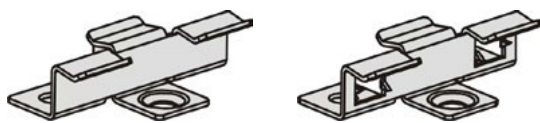
OPTION 2:

Mini Gap Clip Installation

Note: The following shows how to install the mini gap clip system.
A starting accessory (MG-3 / K-37) still needs to be used to install the first board.

NOTE: All boards require both MG1 and MG2 Clips. Only 1 MG2 Locking clip is required per board. See below examples as to where you may choose to place the locking clip.

- 1 First, slide the MG-1A and MG-2A clips into the grooves of the boards as shown in Diagram 26.



MG-1A

Locking Clip MG-2A

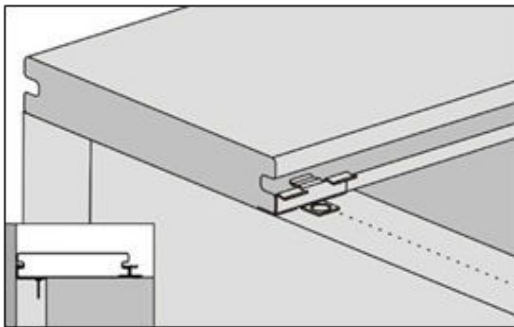


DIAGRAM 26

- 2 Place a screw in the outside hole of the MG-1A and MG-2A as shown in Diagram 27 below.

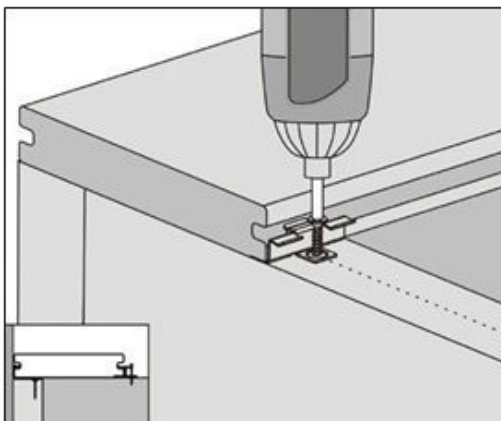


DIAGRAM 27

- 3 Next, fix the screw down into the joist as shown in Diagram 28 below.

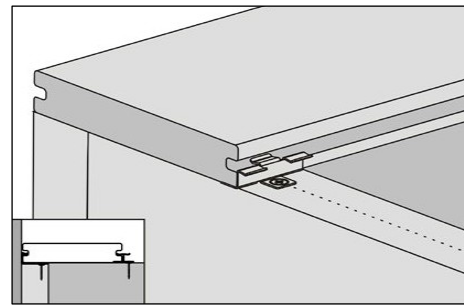


DIAGRAM 28

- 4 After fixing all clips, push the next board into the clips as shown in Diagrams 29 and 30.

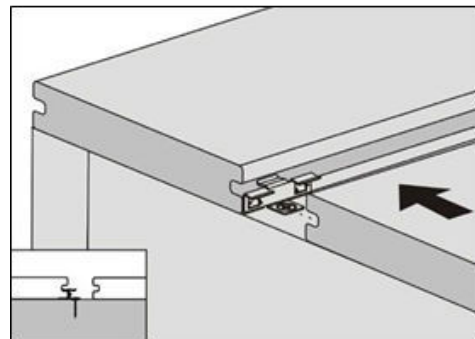


DIAGRAM 29

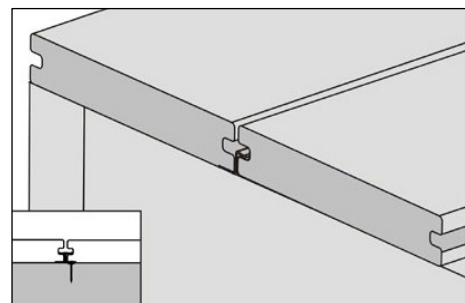


DIAGRAM 30

- 5 Repeat steps 1-4 until complete.

6 The final look should be as below – see Diagram 31.

Note: The MG-2 locking clip is placed on the middle joist as per Diagram 31 which controls expansion and contraction.

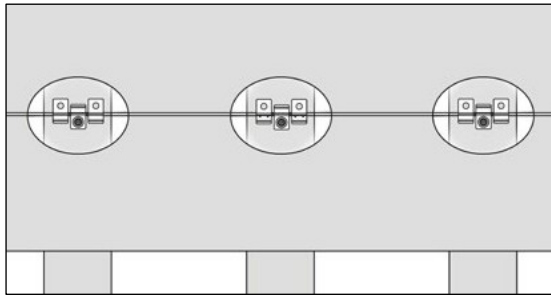
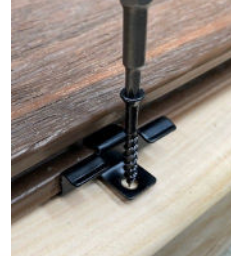


DIAGRAM 31

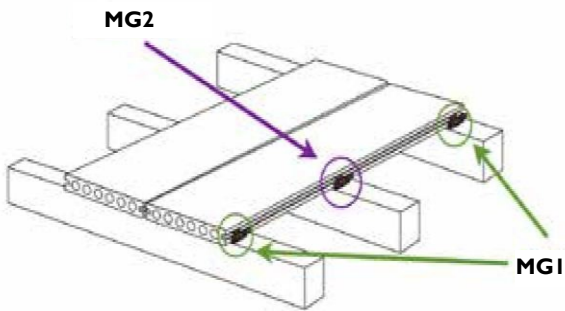
IMPORTANT NOTE:

- Only 1 screw required per clip
- Slide side with two tabs under board
- Screw through Single tab, as per photo below

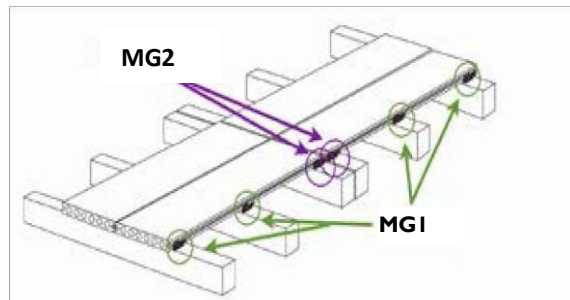


All boards require both MG1 and MG2 Clips.

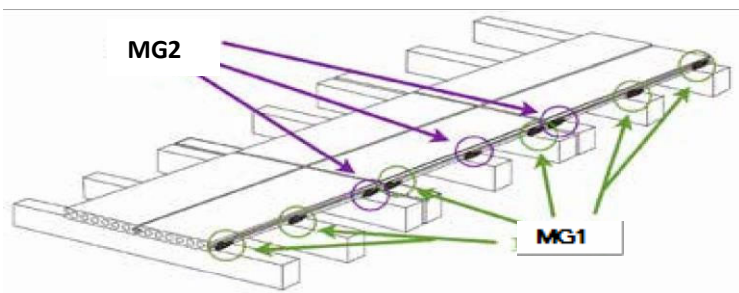
One Length:



Two Lengths:



Three (3+) Lengths:



7

Finally, finish your last board by face fixing into the board at every joist as shown in Diagram 20A below.

Note: Remember to pre-drill before face fixing into the board. Also face fixing must happen at a 90 degree angle and must be at least 38 by 38 mm from the ends and the width of the board.

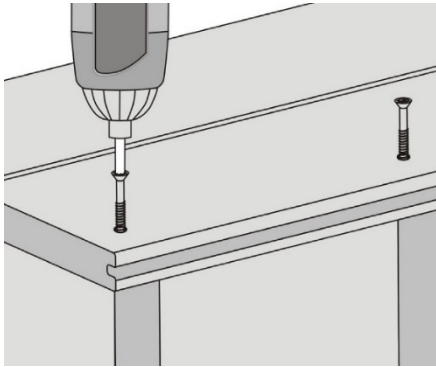


DIAGRAM 20A

For scallop shaped boards, finish face fixing at the points shown in Diagrams 20B, 20C and 20D below.

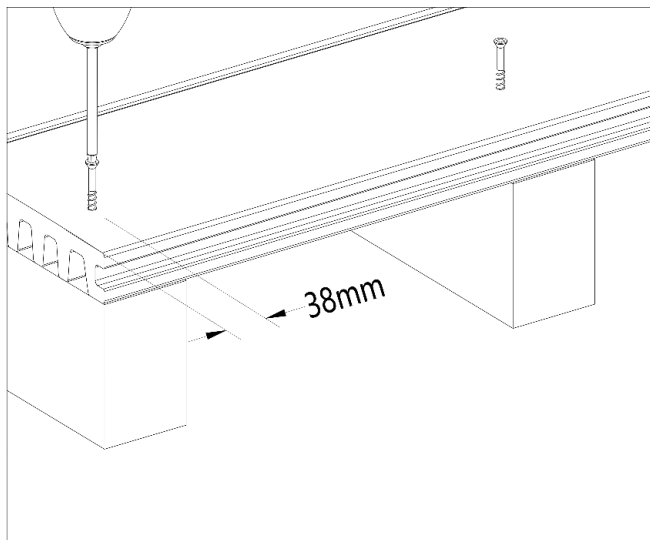
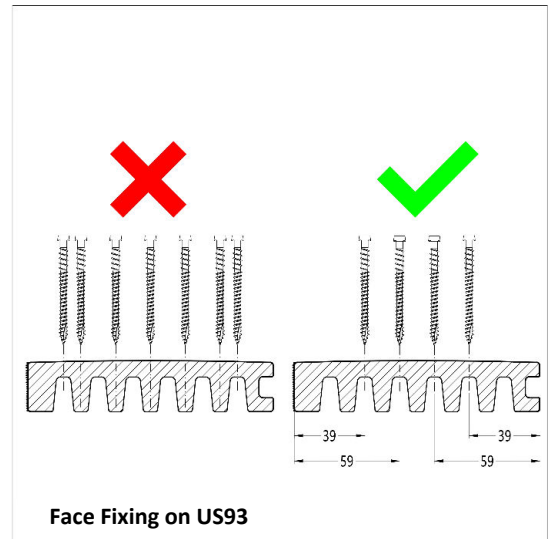
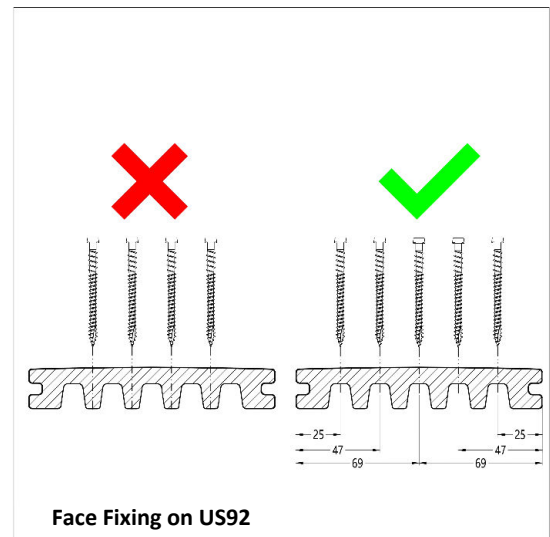


DIAGRAM 20B



Face Fixing on US93

DIAGRAM 20C



Face Fixing on US92

DIAGRAM 20D

Fascia Board Installation

Installing against the width and length of decking.

- 1 The fascia should be installed on the rim board of the frame. The fascia should be installed as shown below in Diagram 32. The distance between screws must be less than or equal to 300 mm. Two screws must be used 25 mm away from the edges.

Also, face-fixing must happen at a 90 degree angle and must be at least 25 x 25mm from the ends and the width of the board.

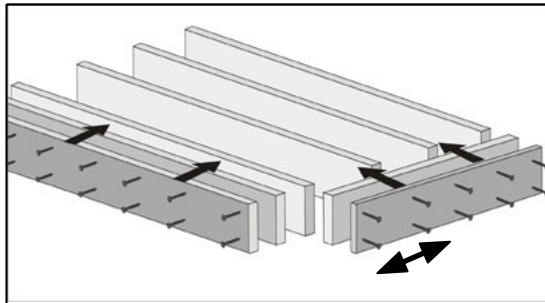


DIAGRAM 32

- 2 First, pre-drill the holes for the fascia board. The fascia board should be drilled with larger holes or routed to allow for expansion and contraction and fixed either at the end or in the middle. When fixing the larger holes it is recommended to use washers.
- 3 The fascia board will be installed into the sub frame or into the joist.



Note: NEVER install the fascia by drilling into the decking. ALWAYS install the fascia into the joist and ALWAYS pre-drill the fascia board.

Stair Tread Installation

Review Diagram 8 and the table below with the maximum spacing from centre to centre for stair tread installation.

Stair treads built with NewTechWood must meet requirements by the major national building codes. Consult your local municipality for specific requirements.

A minimum of four (4) stringers are required.

Overhang on a stair tread should not exceed more than 15mm.

Note: Stair treads should only be installed using solid profiles. Using any type of hollow board for stair treads will not be warrantied.

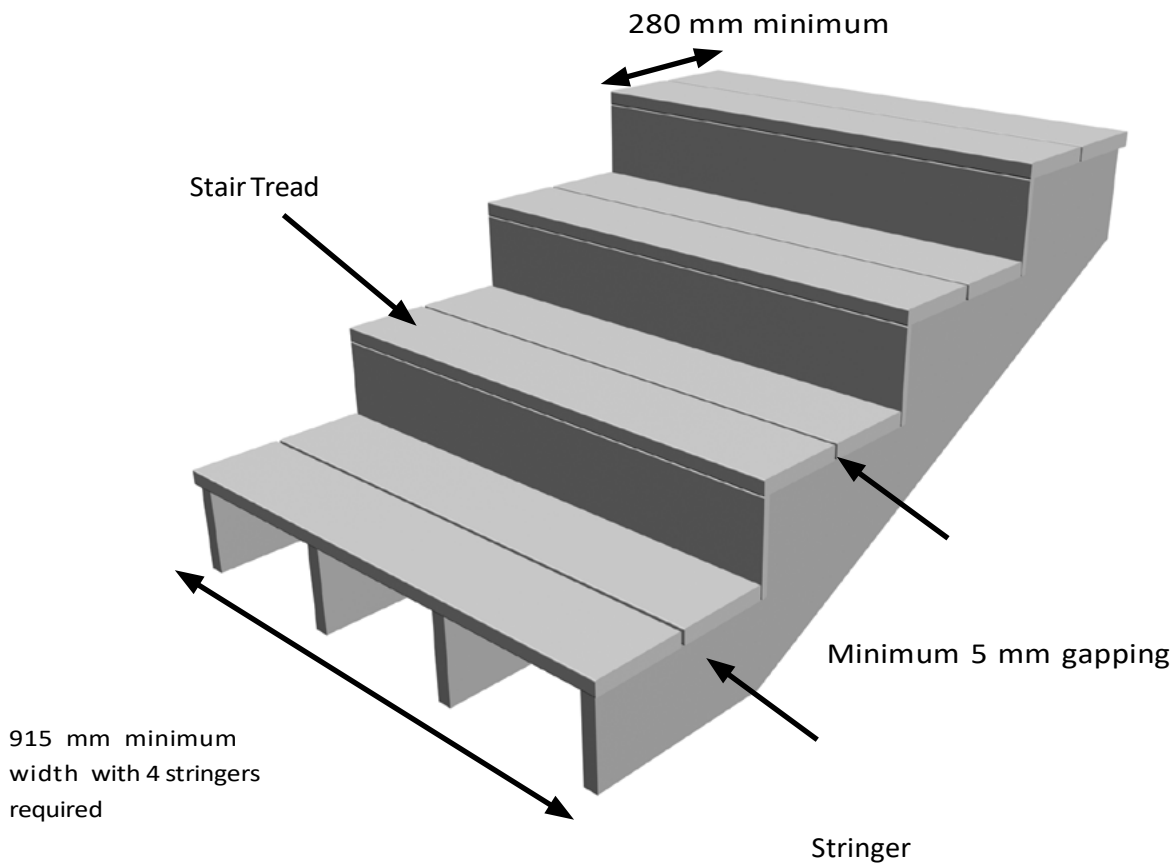


DIAGRAM 8

Maximum Spacing Centre-to-Centre on Stair Stringers and Bullnose

<i>Profile</i>	Dimensions	Spacing
US33	138 x 23 mm	305 mm
US54	210 x 23 mm	305 mm
US49	138 x 25 mm	305 mm
US63	138 x 25 mm	305 mm

Stair treads can be installed in the two ways as shown below.

Note: All screws that are face fixed should always be stainless steel. When face fixing, always go in at least 25mm from the ends and width of the board. Pre-drill the hole slightly larger than the screw.

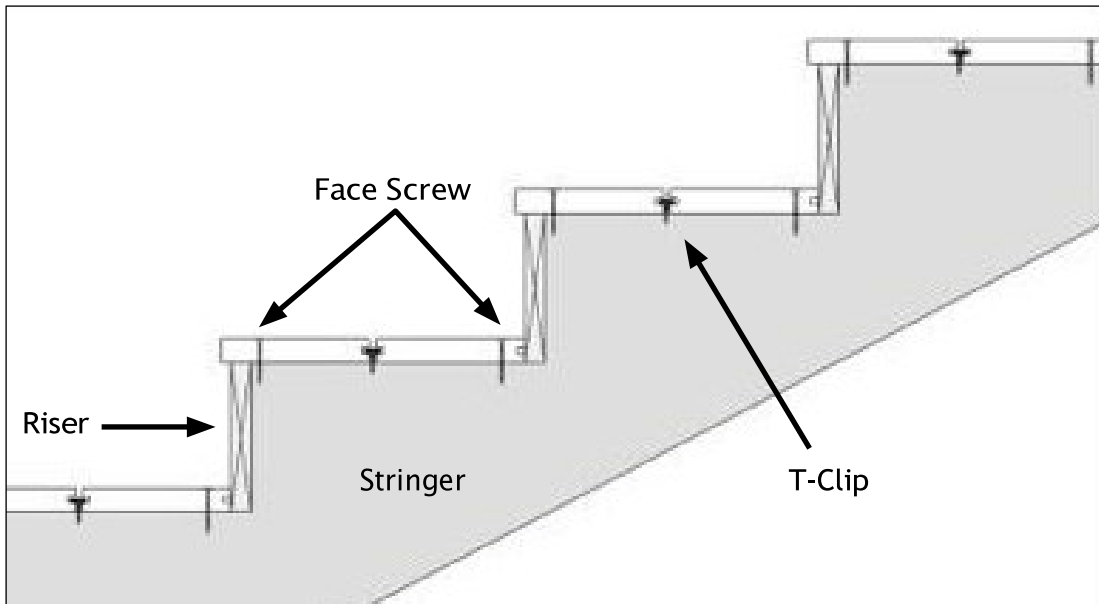


DIAGRAM 9

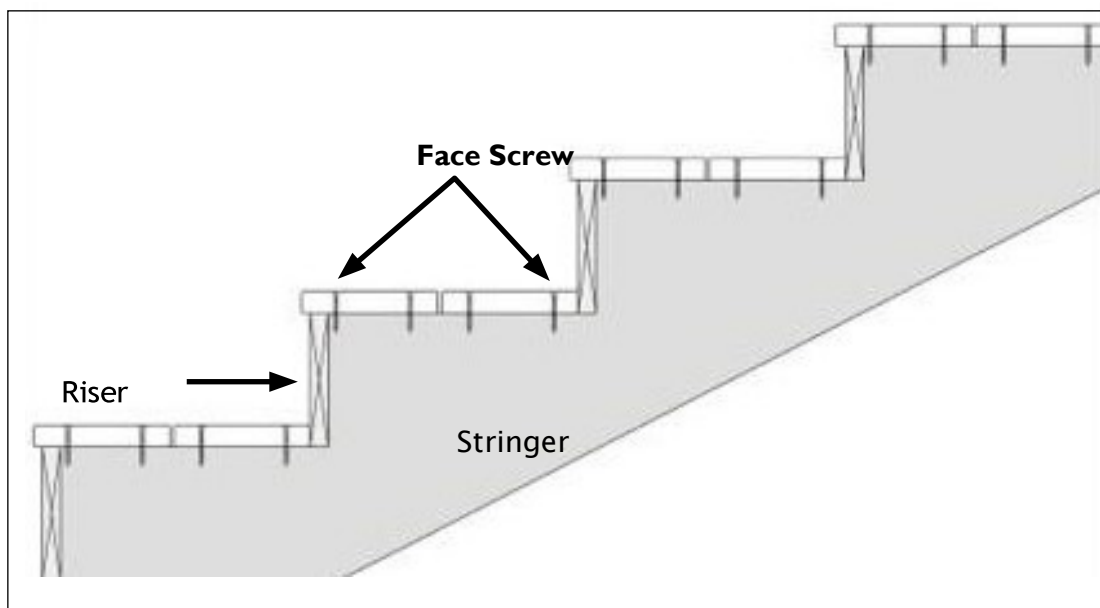


DIAGRAM 10

Diagram 21 below shows a completed staircase from the side, to get a better idea of how the final installation will look.

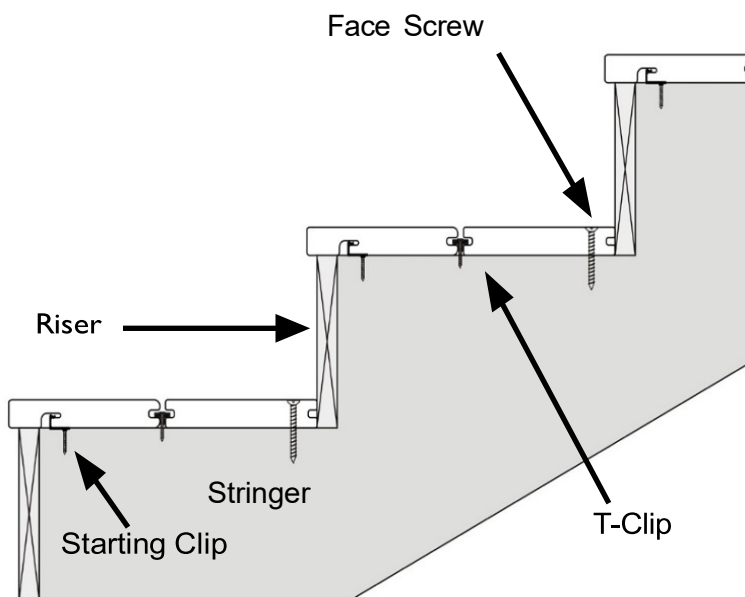


DIAGRAM 21



Decking Installation Guide

2024/AUS

© 2024 Distributed in Australia by:
Urban Direct Wholesale Pty Ltd
24 Tichborne Street
Cockburn Central WA 6164
Western Australia
Email: enquiries@urbandirectwholesale.com.au

NewTechWood is a registered trademark of Huidong Meixin Plastic Lumber Products Manufacturing Co., Ltd. To obtain a copy of the most current version of this installation guide, visit us online at www.newtechwood.com.au

